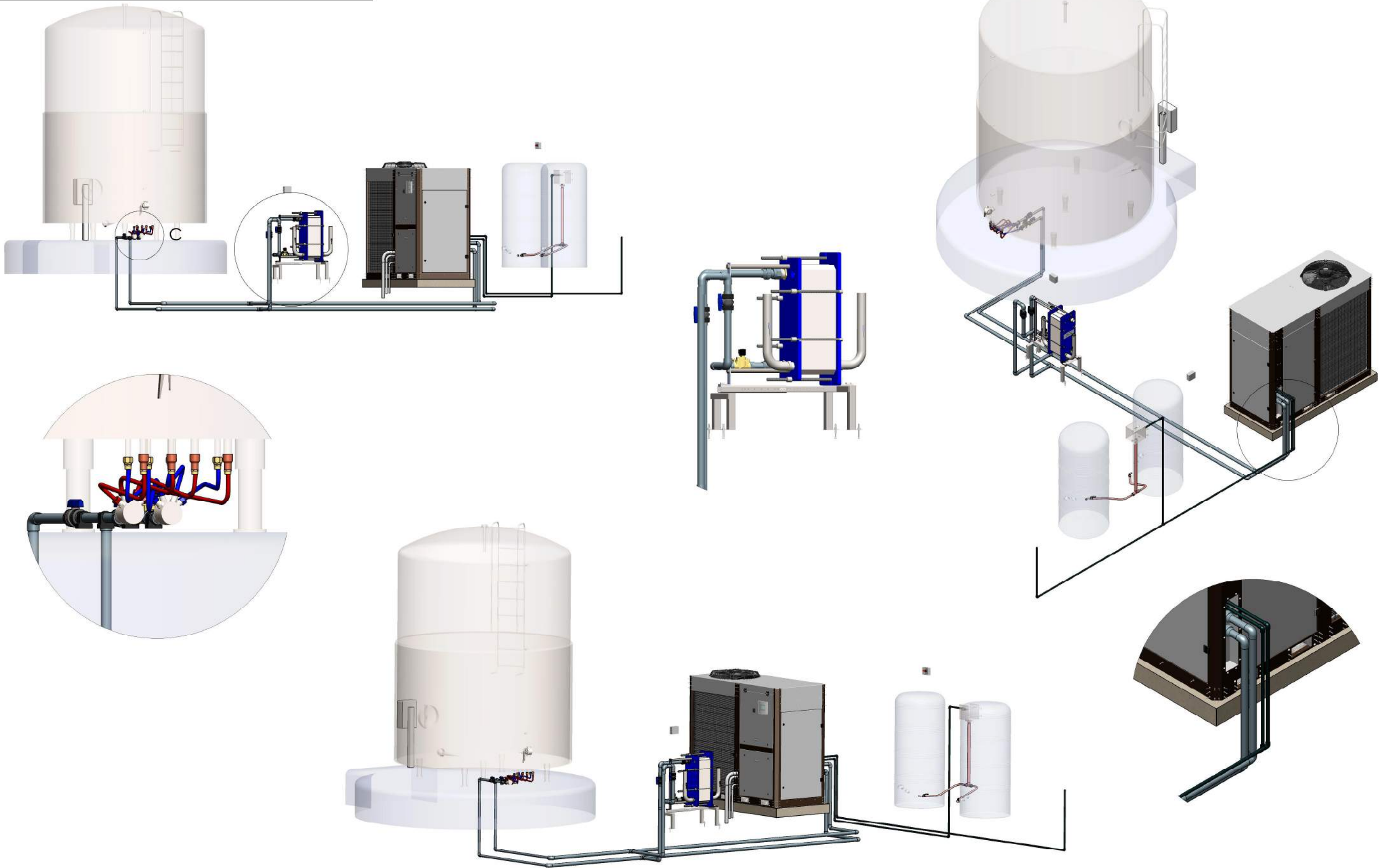


VARICOOL | **22**
ECO-REFRIGERATION TECHNOLOGIES

TURN
ME OVER
FOR A GRAPHICAL
VIEW OF AN INSTALLATION

COPYRIGHT:
THIS DRAWING IS COPYRIGHT AND MUST NOT BE
RE-PRODUCED WITHOUT WRITTEN CONSENT OF
COOLSENSE NZ LTD.
TEL: +64 (0)7 849 0006
Address: 618D Te Rapa Road, Te Rapa, PO BOX 10186, Hamilton 3200, New Zealand.
Website: www.coolsense.co.nz
E-mail: info@coolsense.co.nz

SINGLE VAT INDUSTRIAL DOUBLE BANK INSTALLATION ILLUSTRATION



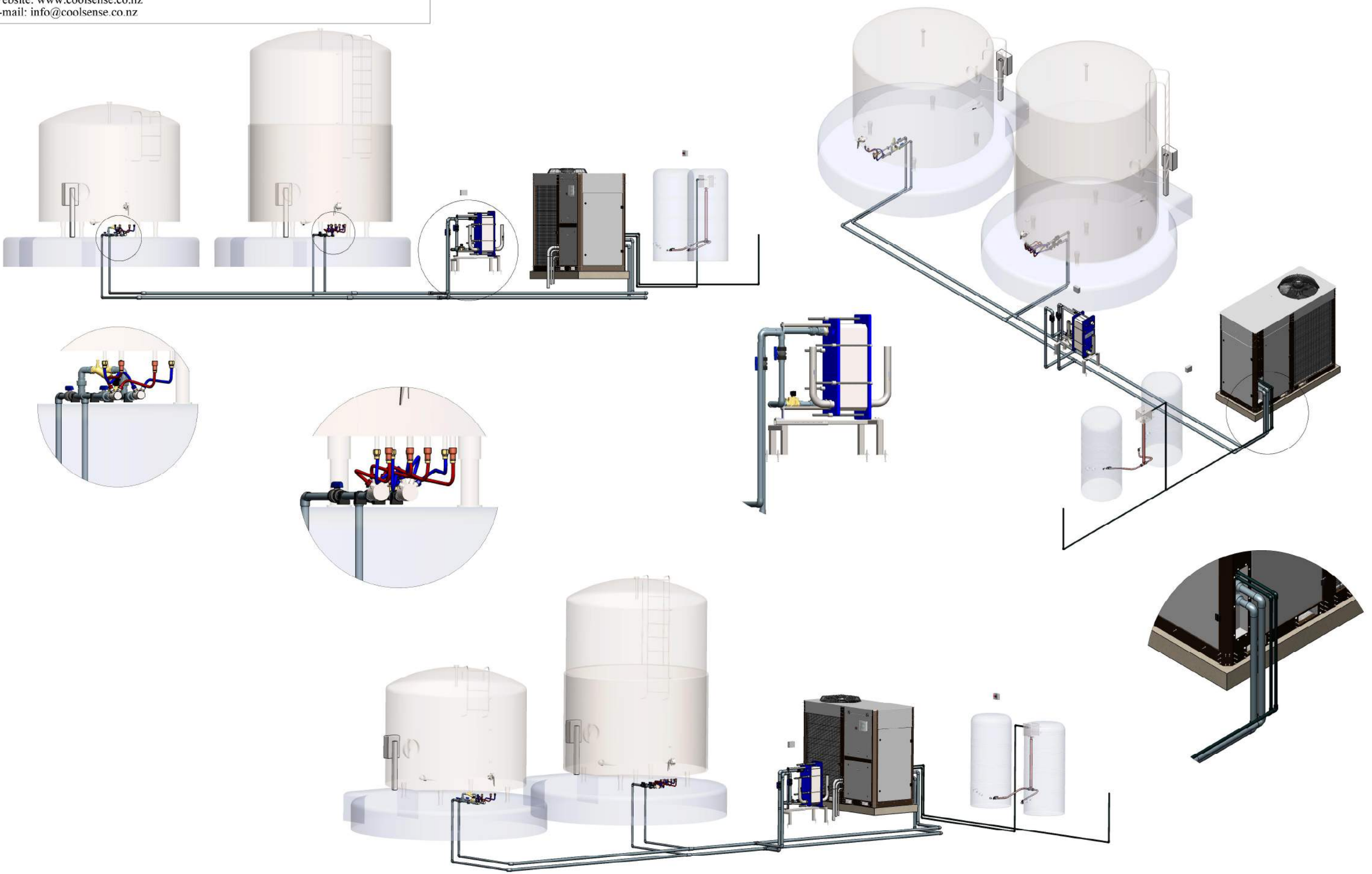
COPYRIGHT:
THIS DRAWING IS COPYRIGHT AND MUST NOT BE
RE-PRODUCED WITHOUT WRITTEN CONSENT OF
COOLSENSE NZ LTD.
TEL: +64 (0)7 849 0006
Address: 618D Te Rapa Road, Te Rapa, PO BOX 10186, Hamilton 3200, New Zealand.
Website: www.coolsense.co.nz
E-mail: info@coolsense.co.nz

SINGLE VAT SECONDARY HEAT EXCHANGER INSTALLATION ILLUSTRATION



COPYRIGHT:
THIS DRAWING IS COPYRIGHT AND MUST NOT BE
RE-PRODUCED WITHOUT WRITTEN CONSENT OF
COOLSENSE NZ LTD.
TEL: +64 (0)7 849 0006
Address: 618D Te Rapa Road, Te Rapa, PO BOX 10186, Hamilton 3200, New Zealand.
Website: www.coolsense.co.nz
E-mail: info@coolsense.co.nz

TWIN VAT INDUSTRIAL DOUBLE BANK INSTALLATION ILLUSTRATION



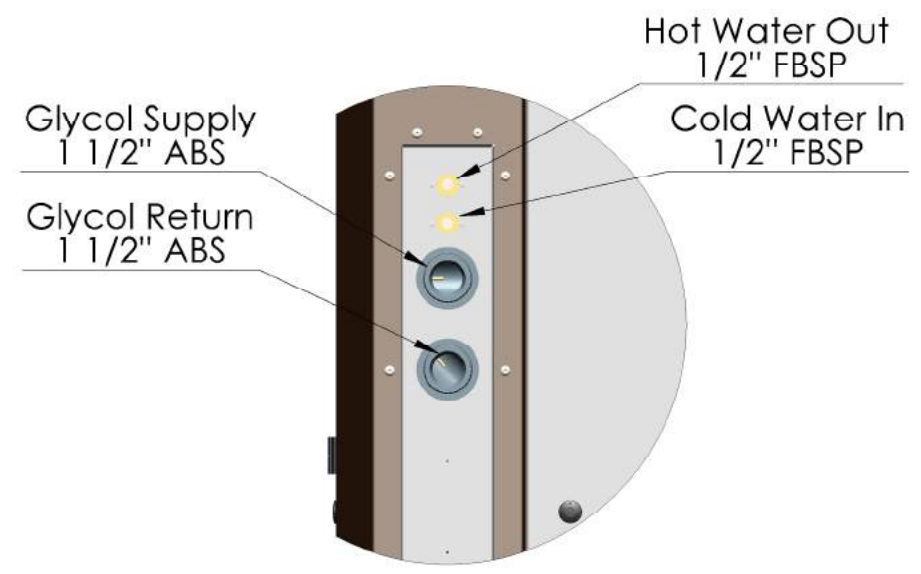
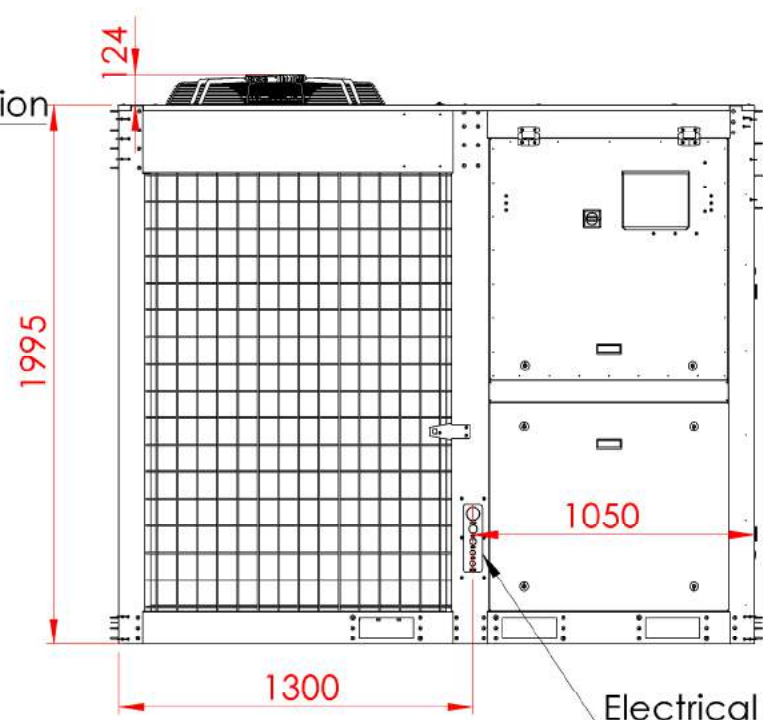
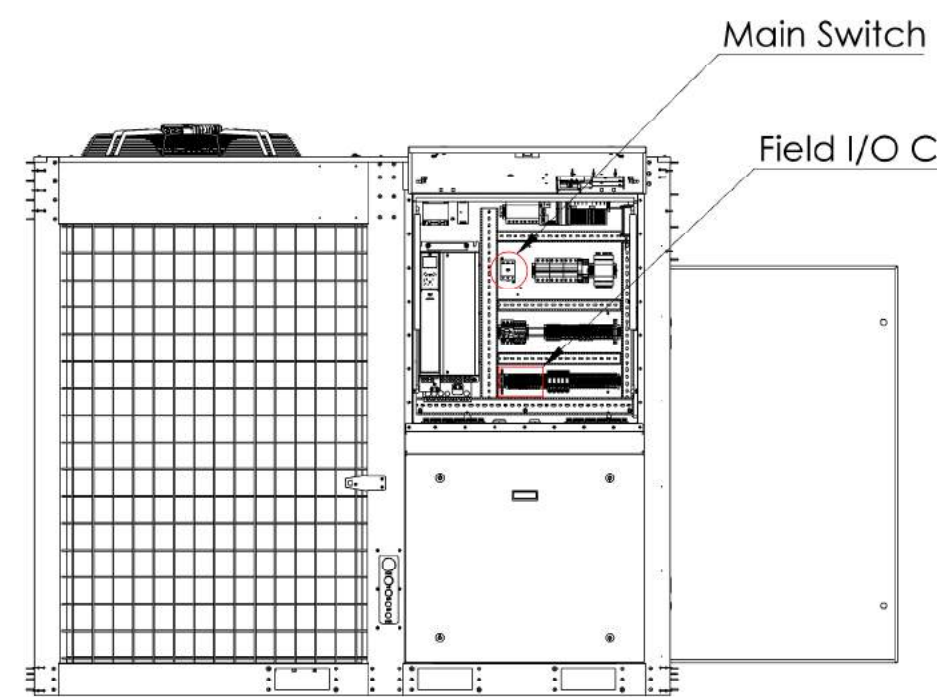
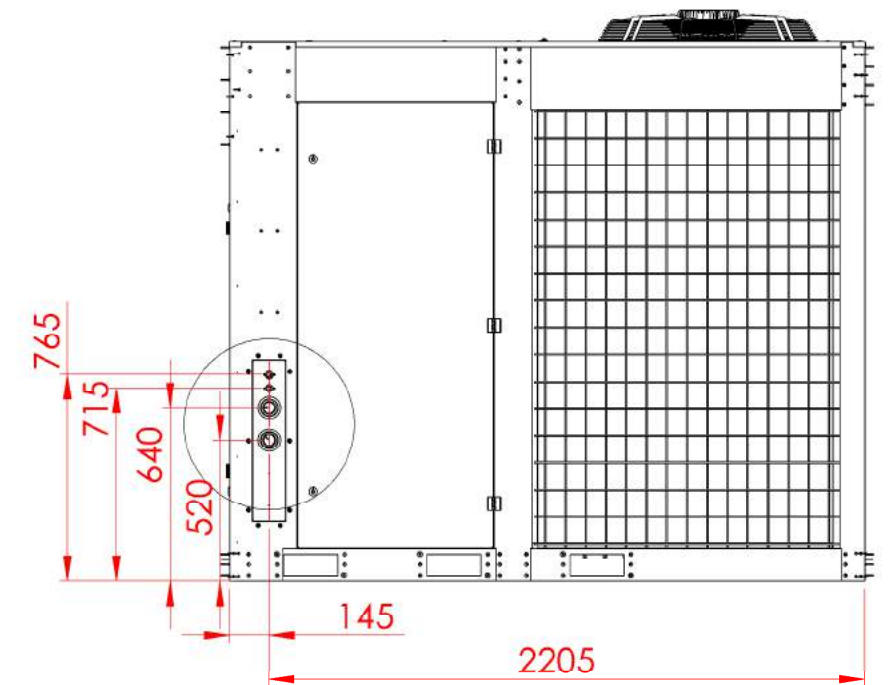
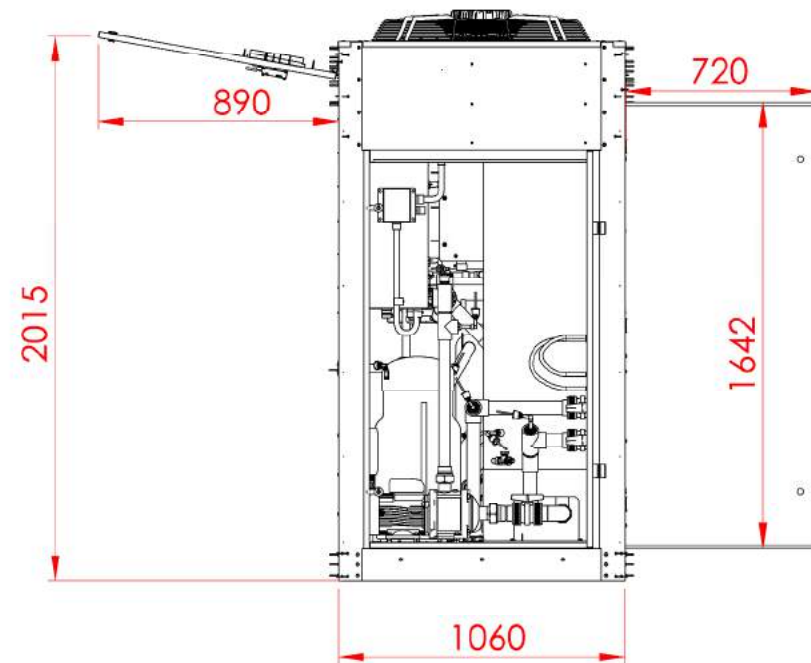
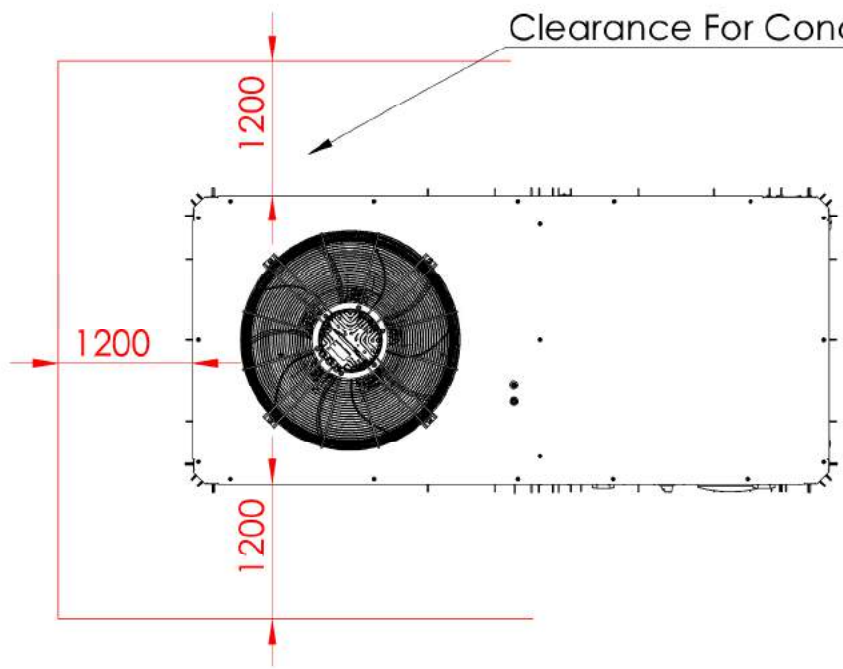
COPYRIGHT:
THIS DRAWING IS COPYRIGHT AND MUST NOT BE
RE-PRODUCED WITHOUT WRITTEN CONSENT OF
COOLSENSE NZ LTD.
TEL: +64 (0)7 849 0006
Address: 618D Te Rapa Road, Te Rapa, PO BOX 10186, Hamilton 3200, New Zealand.
Website: www.coolsense.co.nz
E-mail: info@coolsense.co.nz

TWIN VAT SECONDARY HEAT EXCHANGER INSTALLATION ILLUSTRATION



COPYRIGHT:
 THIS DRAWING IS COPYRIGHT AND MUST NOT BE
 RE-PRODUCED WITHOUT WRITTEN CONSENT OF
 COOLSENSE NZ LTD.
 TEL: +64 (0)7 849 0006
 Address: 618D Te Rapa Road, Te Rapa, PO BOX 10186, Hamilton 3200, New Zealand.
 Website: www.coolsense.co.nz
 E-mail: info@coolsense.co.nz

VARI-COOL 22 SPECIFICATION



Fluid Flow Plate

Model Number	VC-22-INT-3.5-HR-INSUL
Phase	3
Volts	415
Hz	50
Refrigerant	R410A
Charge(kg)	17.5
Refrigerant Oil	Polyester 160SZ
Weight(kg)	1046
kW Input	27.08
Unit	mm

COPYRIGHT:
THIS DRAWING IS COPYRIGHT AND MUST NOT BE
RE-PRODUCED WITHOUT WRITTEN CONSENT OF
COOLSENSE NZ LTD.
TEL: +64 (0)7 849 0006
Address: 618D Te Rapa Road, Te Rapa, PO BOX 10186, Hamilton 3200, New Zealand.
Website: www.coolsense.co.nz
E-mail: info@coolsense.co.nz

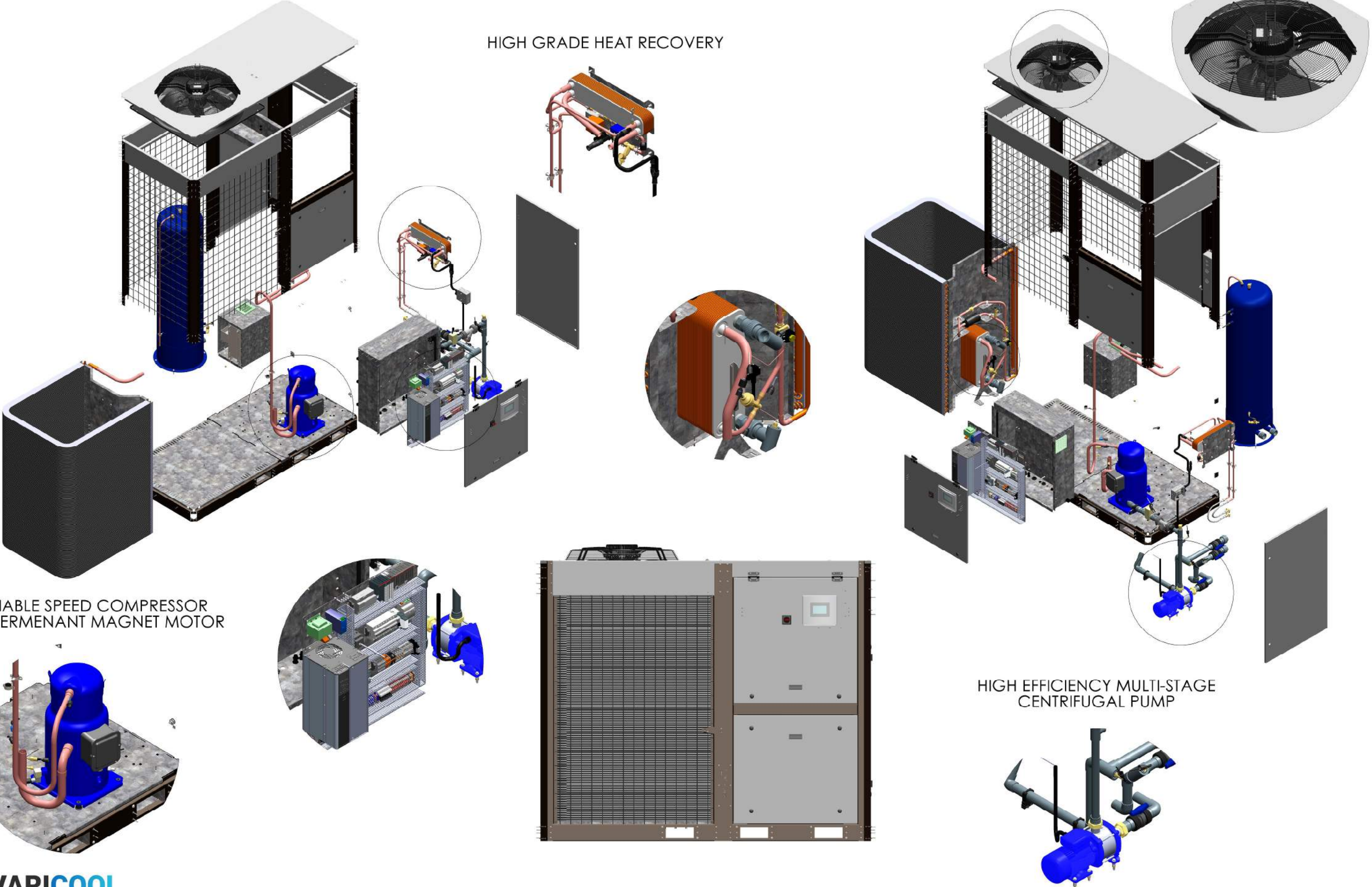
VARI-COOL 22 EXPLODED VIEW

VARIABLE SPEED EC FAN
(LOW kW CONSUMPTION)

HIGH GRADE HEAT RECOVERY

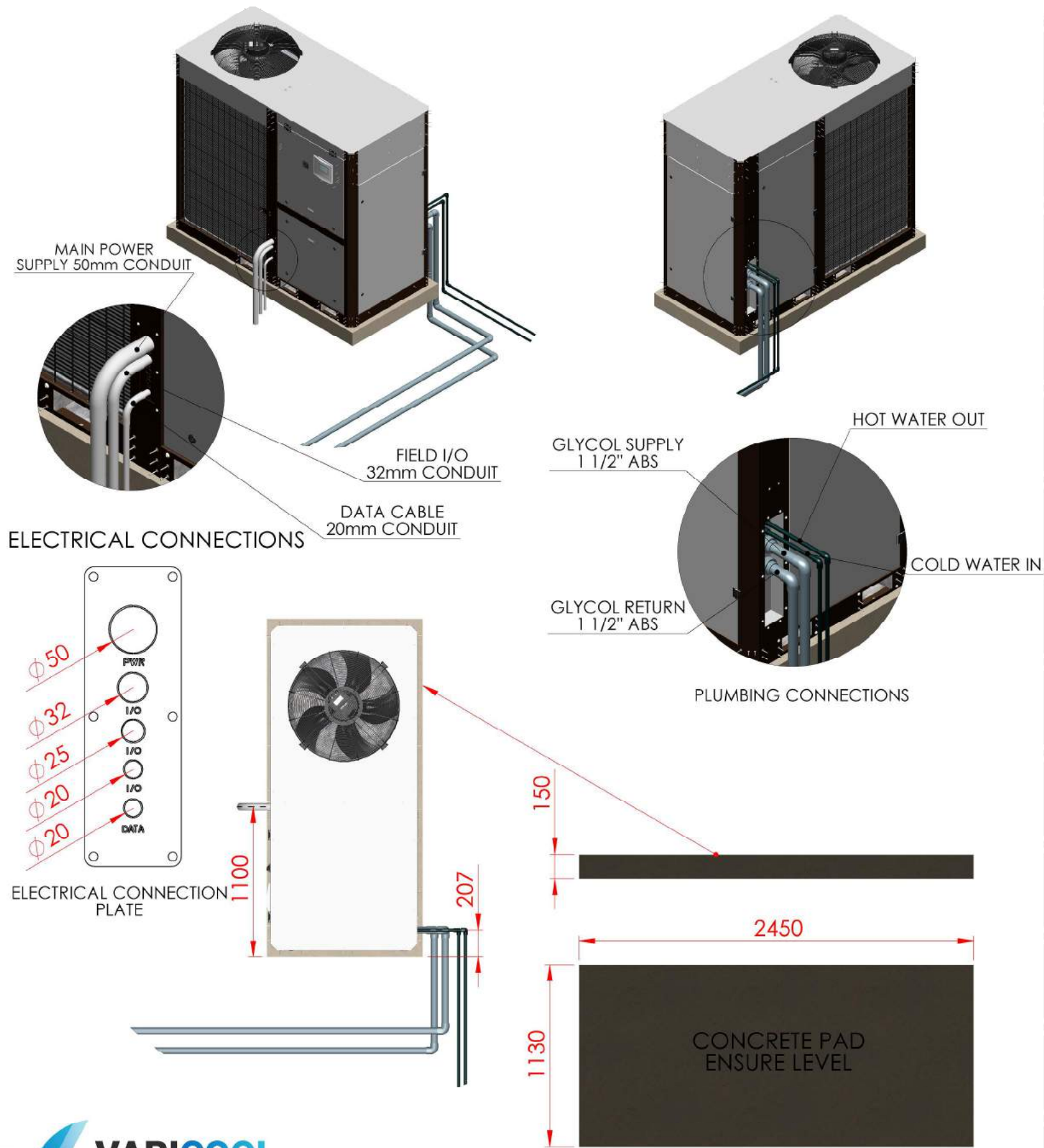
VARIABLE SPEED COMPRESSOR
WITH PERMENANT MAGNET MOTOR

HIGH EFFICIENCY MULTI-STAGE
CENTRIFUGAL PUMP

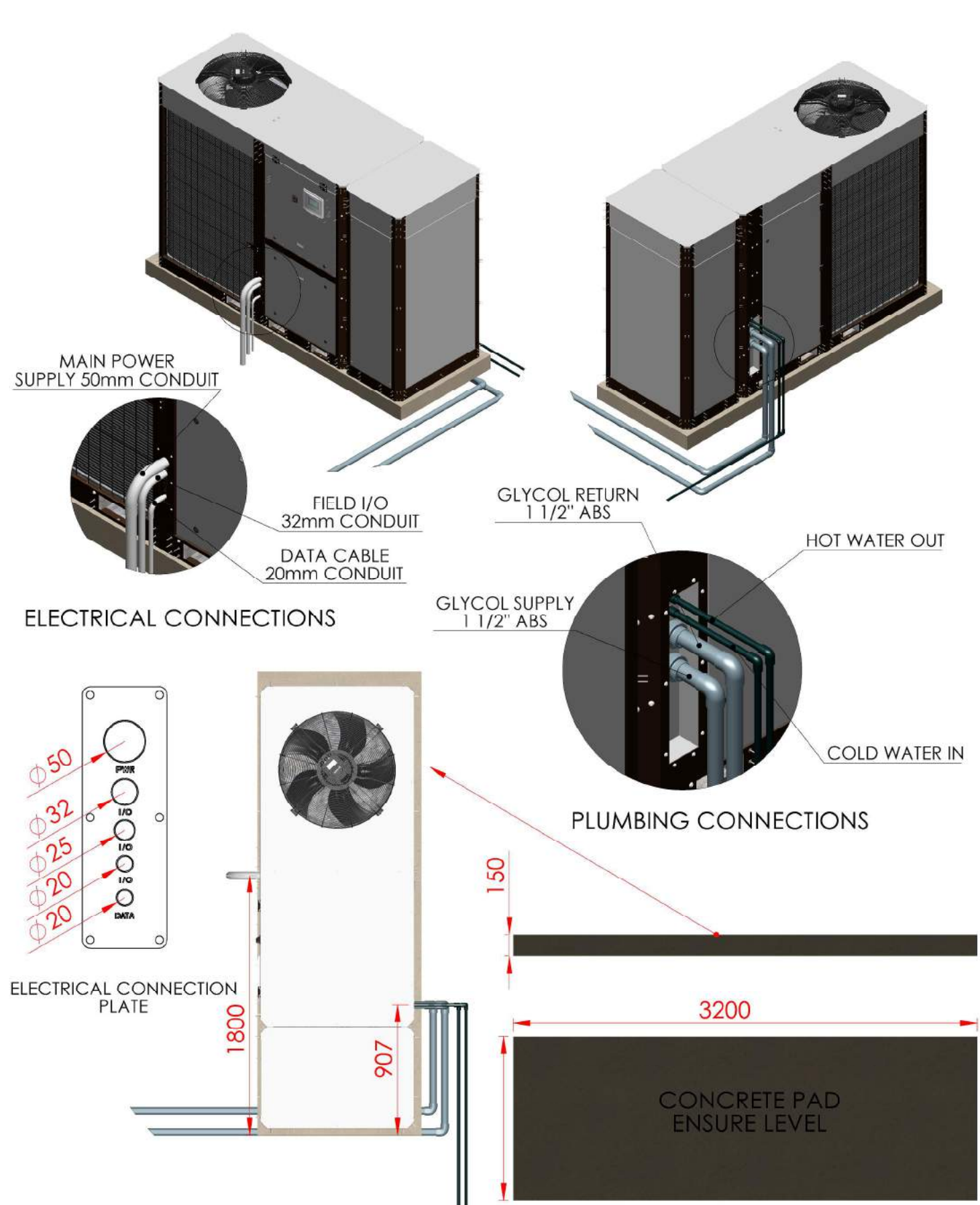


COPYRIGHT:
 THIS DRAWING IS COPYRIGHT AND MUST NOT BE
 RE-PRODUCED WITHOUT WRITTEN CONSENT OF
 COOLSENSE NZ LTD.
 TEL: +64 (0)7 849 0006
 Address: 618D Te Rapa Road, Te Rapa, PO BOX 10186, Hamilton 3200, New Zealand.
 Website: www.coolsense.co.nz
 E-mail: info@coolsense.co.nz

VARI-COOL 18.5 & 22 ELECTRICAL AND HYDRONIC INSTALLATION WITH PLINTH

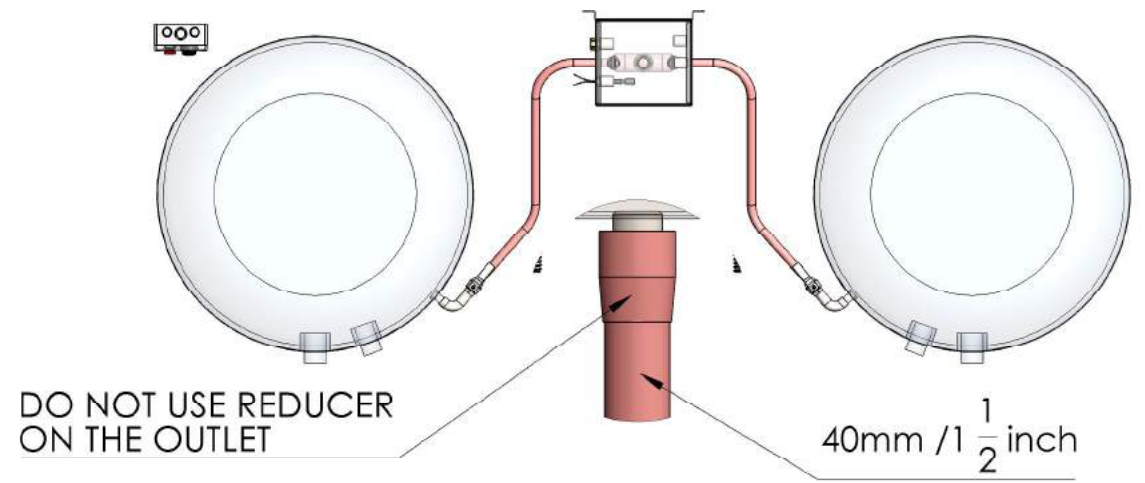
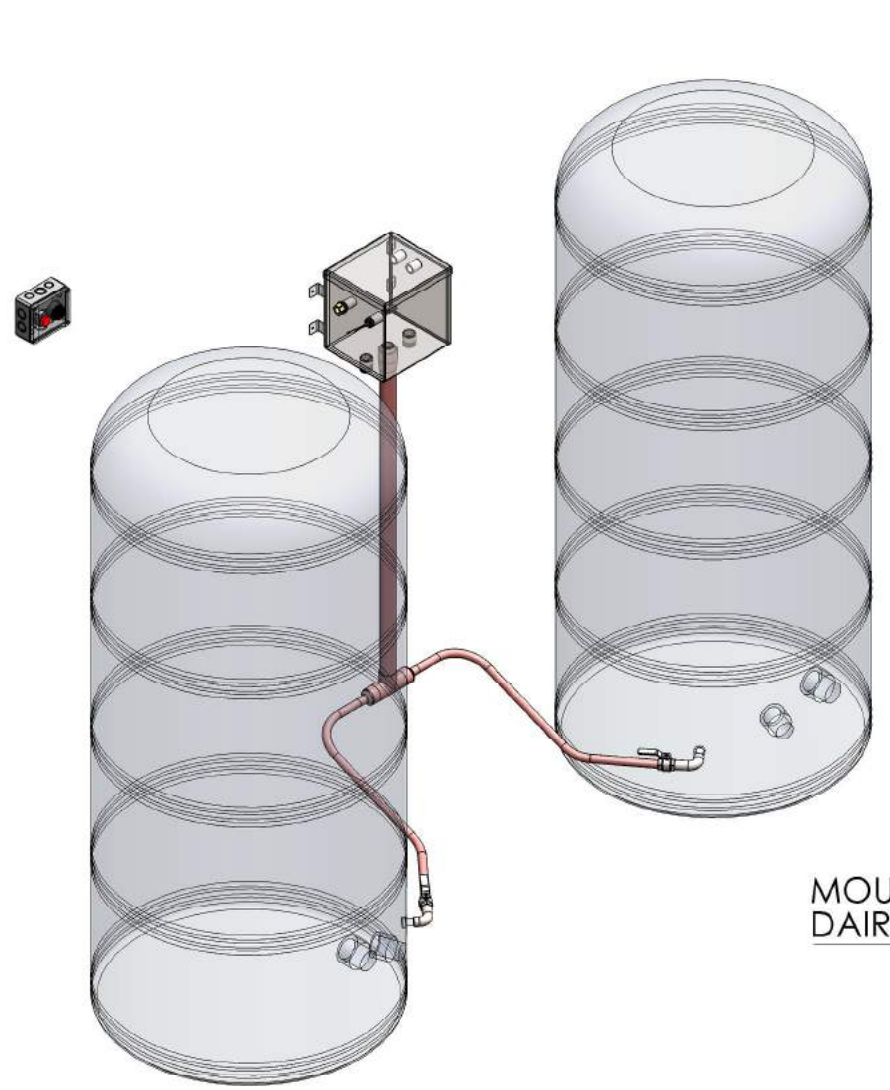


VARI-COOL 29.5 & 36 ELECTRICAL AND HYDRONIC INSTALLATION WITH PLINTH

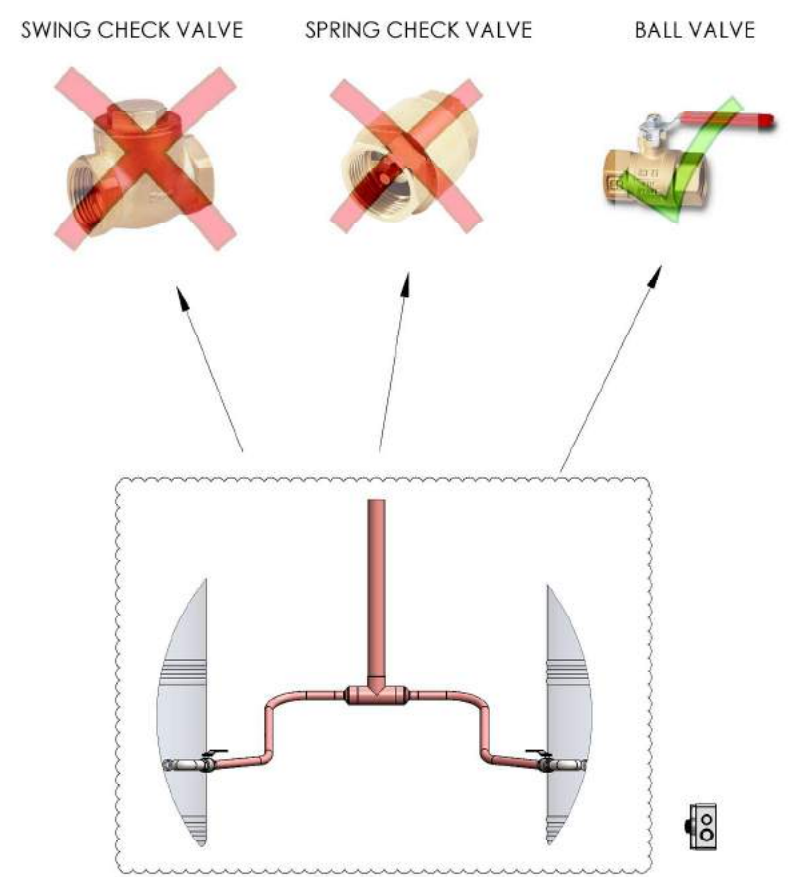


COPYRIGHT:
 THIS DRAWING IS COPYRIGHT AND MUST NOT BE
 RE-PRODUCED WITHOUT WRITTEN CONSENT OF
 COOLSENSE LTD.
 TEL: +64 (0)7 849 0006
 Address: 618D Te Rapa Road, Te Rapa, PO BOX 10186, Hamilton 3200, New Zealand.
 Website: www.coolsense.co.nz
 E-mail: info@coolsense.co.nz

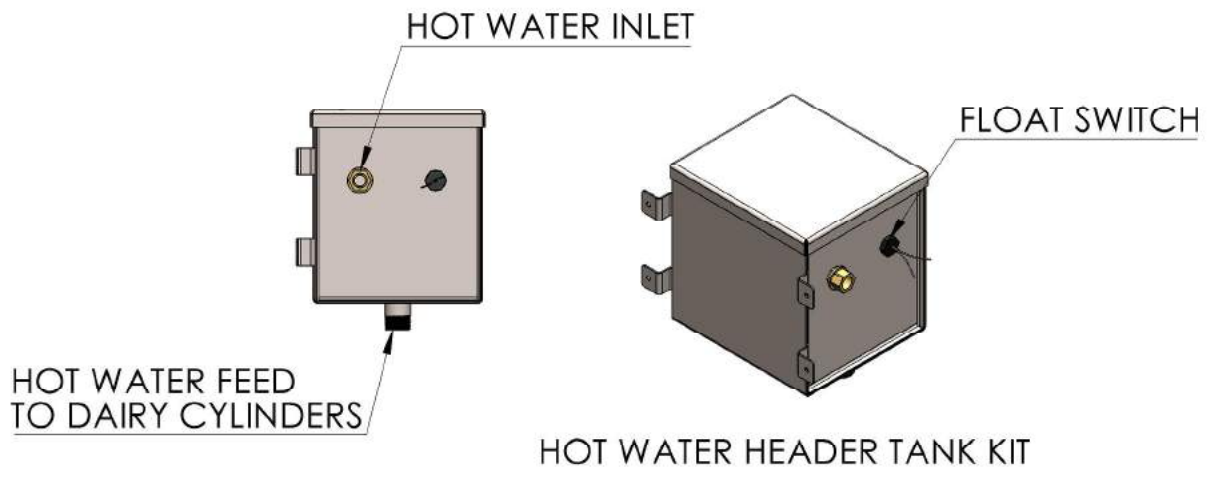
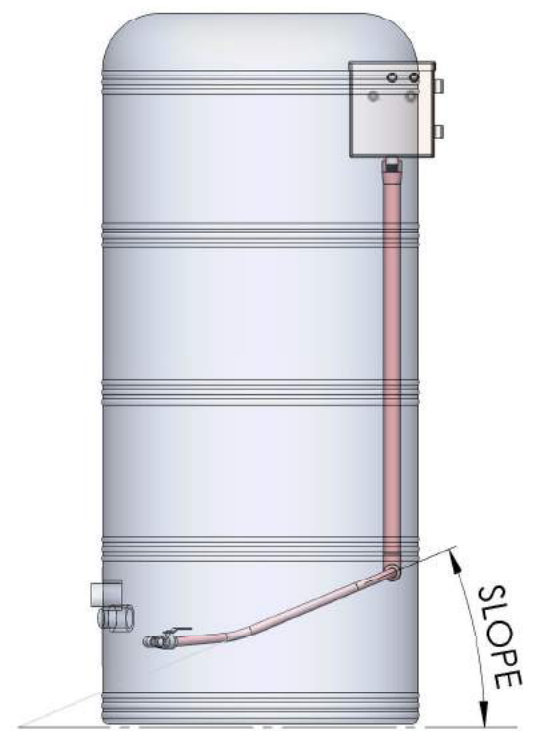
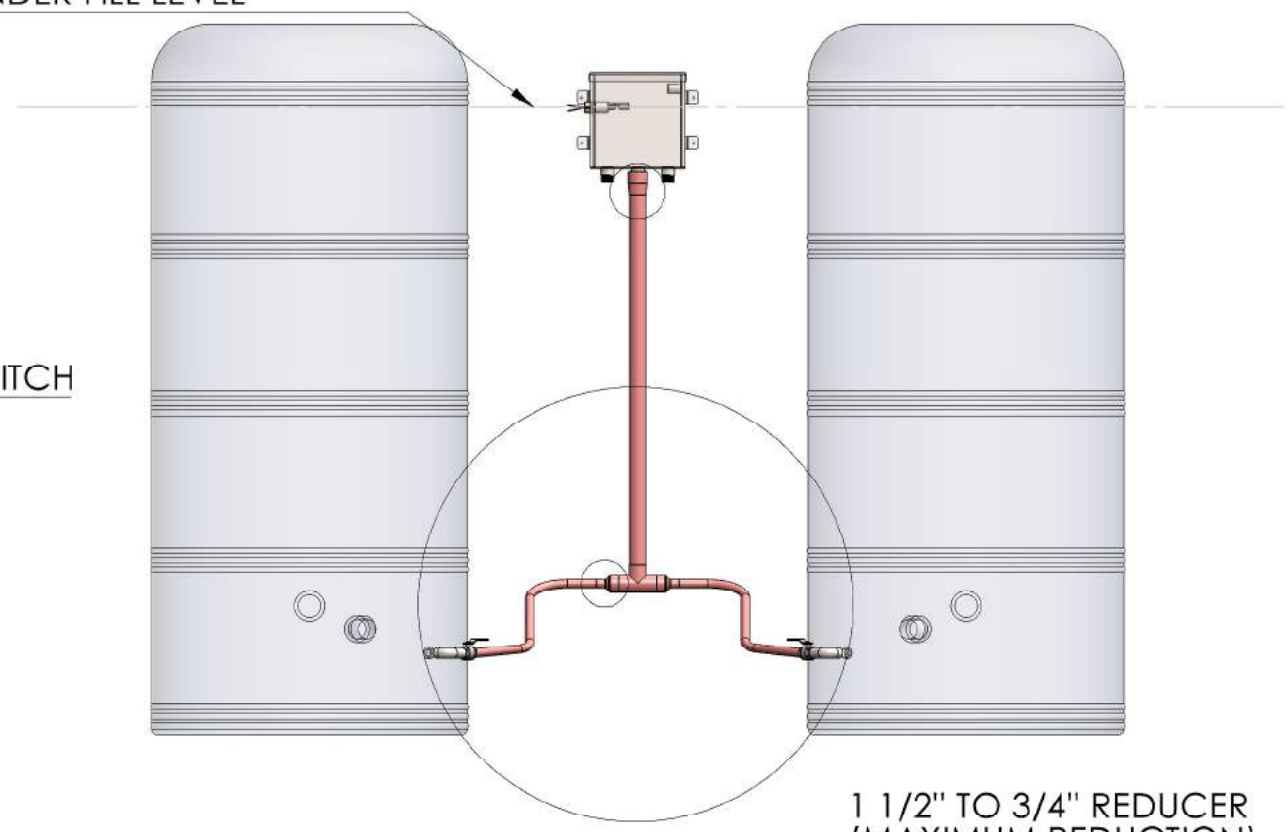
HEAT RECOVERY HEADER TANK TO DAIRY CYLINDERS FOR ALL MODELS



NOTE:
 THIS CONFIGURATION WILL DRAIN BOTH CYLINDERS EQUALLY.



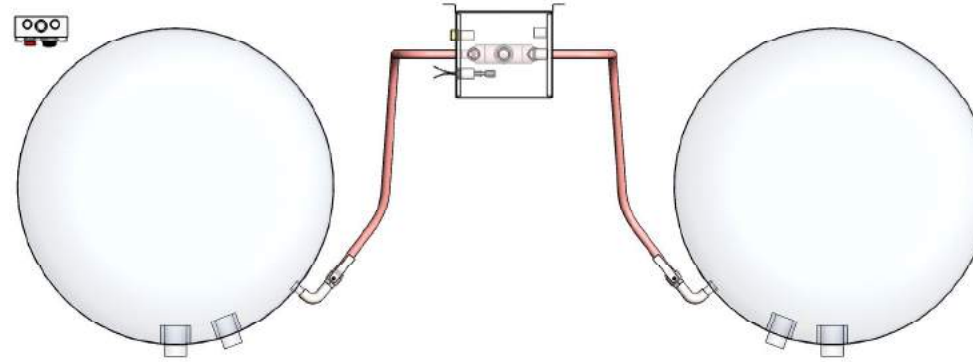
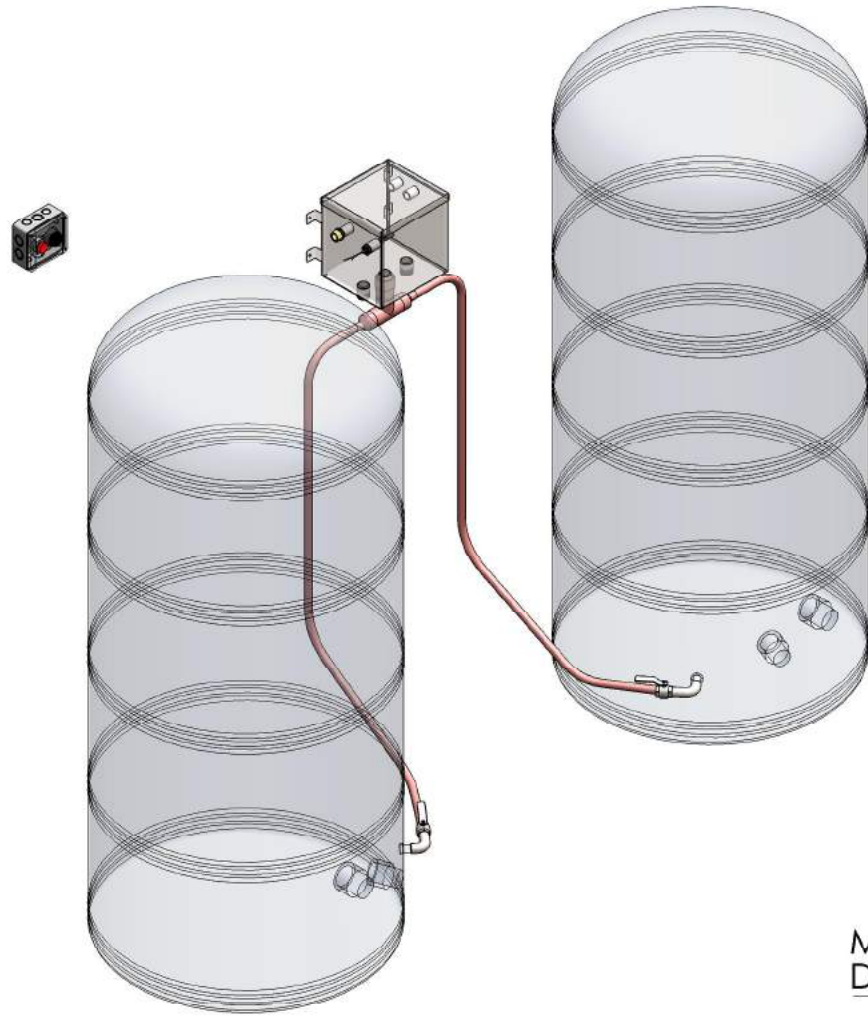
MOUNT HEADER TANK TO CORRECT DAIRY CYLINDER FILL LEVEL



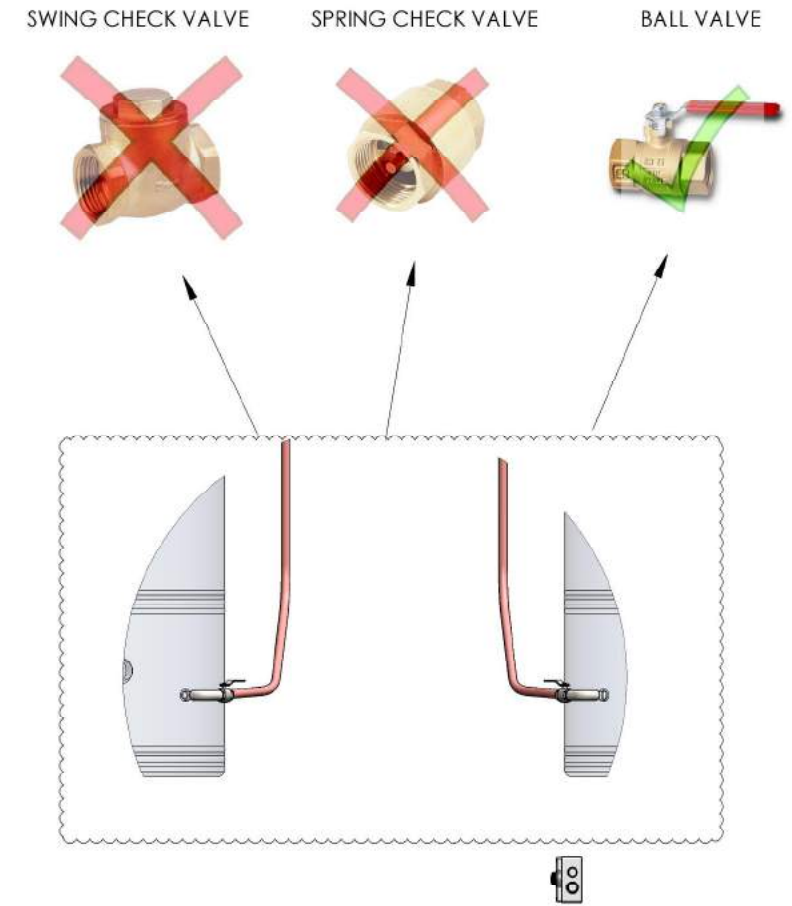
1 1/2" TO 3/4" REDUCER (MAXIMUM REDUCTION)

COPYRIGHT:
 THIS DRAWING IS COPYRIGHT AND MUST NOT BE
 RE-PRODUCED WITHOUT WRITTEN CONSENT OF
 COOLSENSE LTD.
 TEL: +64 (0)7 849 0006
 Address: 618D Te Rapa Road, Te Rapa, PO BOX 10186, Hamilton 3200, New Zealand.
 Website: www.coolsense.co.nz
 E-mail: info@coolsense.co.nz

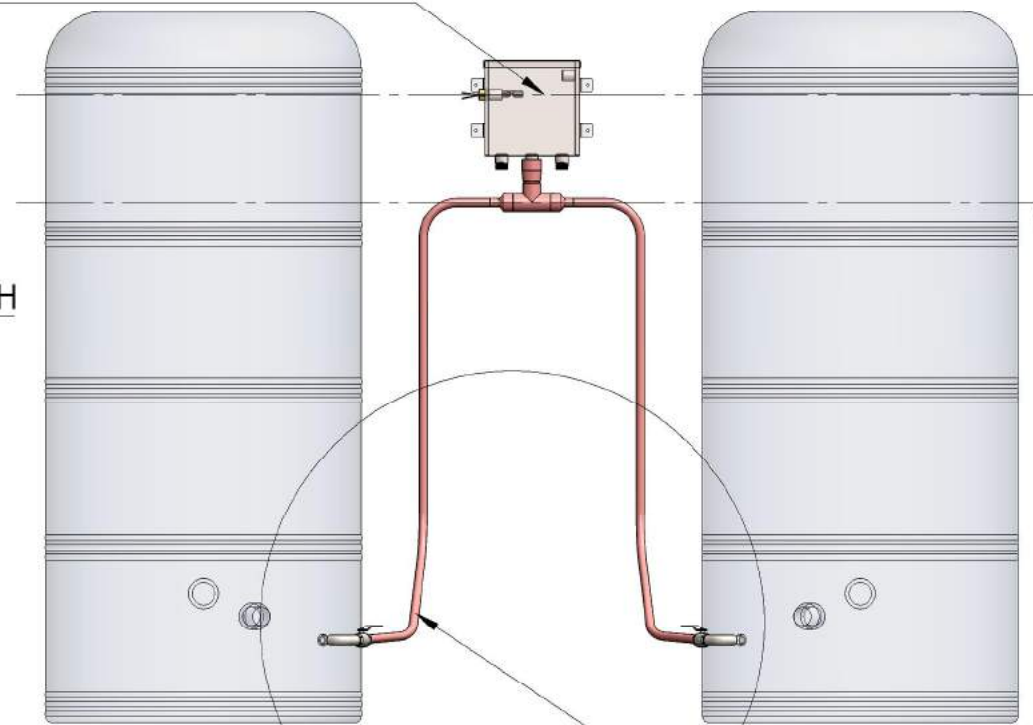
HEAT RECOVERY HEADER TANK TO DAIRY CYLINDERS FOR ALL MODELS (EMPTY FIRST FILL-NON EQUALISING)



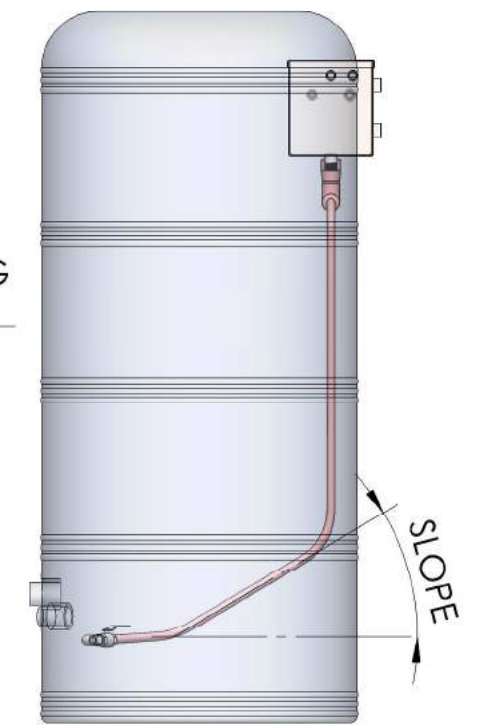
NOTE:
 THIS CONFIGURATION WILL ALLOW THE DAIRY
 CYLINDERS TO BE EMPTIED INDEPENDENTLY FROM
 EACH OTHER



**MOUNT HEADER TANK TO CORRECT
 DAIRY CYLINDER FILL LEVEL**

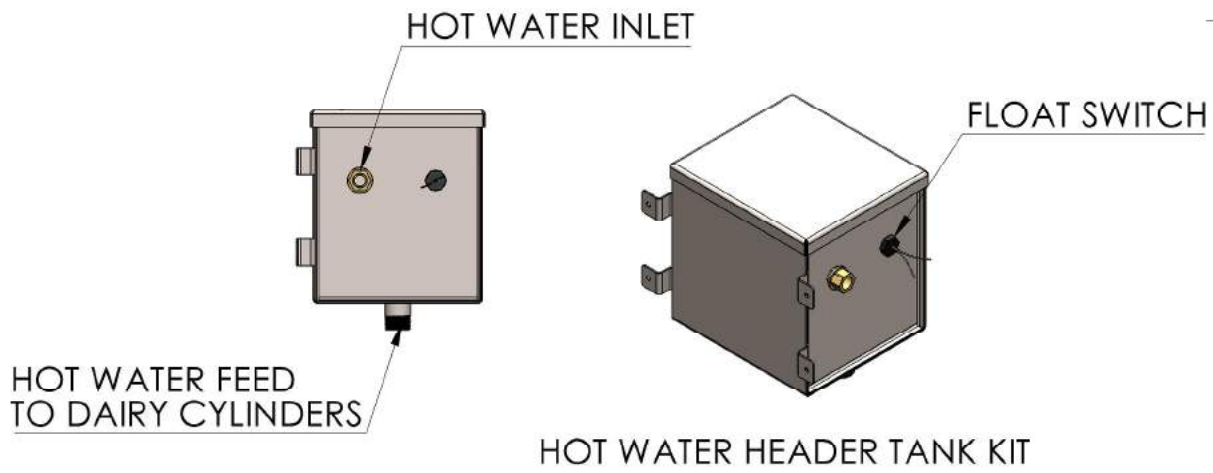


REMAINING
 FILL LEVEL



SLOPE

3/4" MINIMUM PIPE BORE



HOT WATER FEED
 TO DAIRY CYLINDERS

HOT WATER HEADER TANK KIT