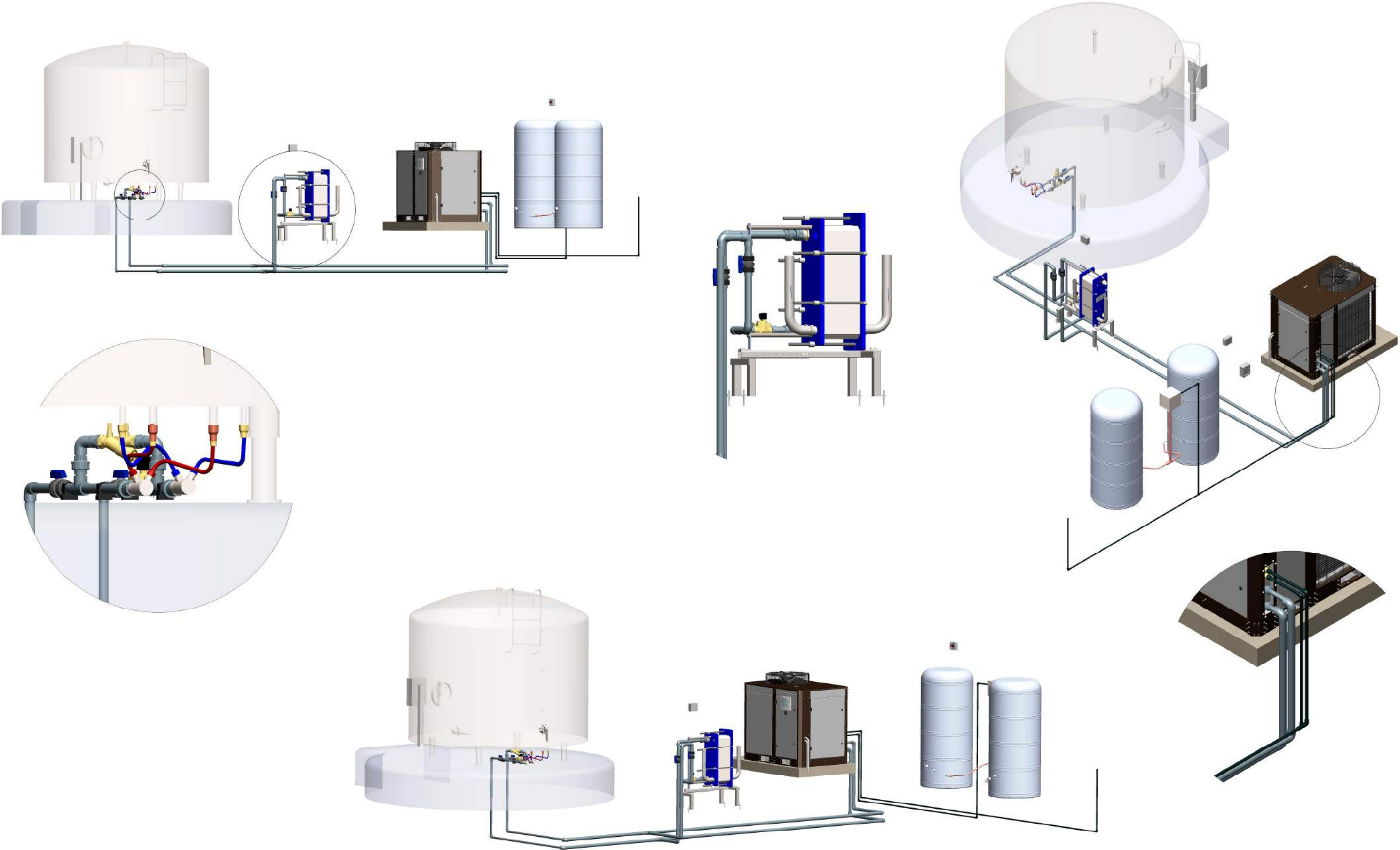


VARICHILL | **7.5**
ECO-REFRIGERATION TECHNOLOGIES

TURN
ME OVER
FOR A GRAPHICAL
VIEW OF AN INSTALLATION

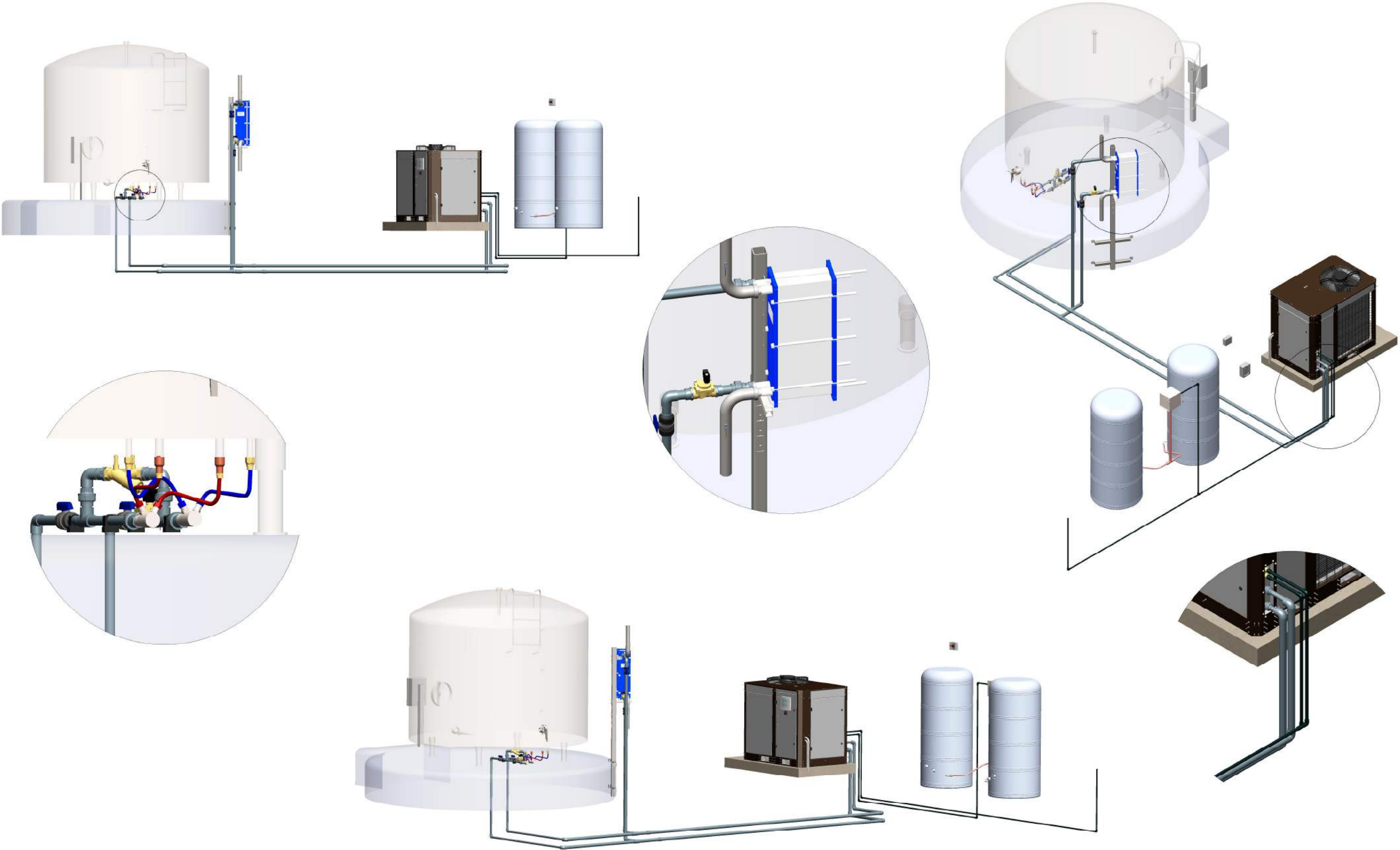
COPYRIGHT:
THIS DRAWING IS COPYRIGHT AND MUST NOT BE
RE-PRODUCED WITHOUT WRITTEN CONSENT OF
COOLSENSE NZ LTD.
TEL: +64 (0)7 849 0006
Address: 618D Te Rapa Road, Te Rapa, PO BOX 10186, Hamilton 3200, New Zealand.
Website: www.coolsense.co.nz
E-mail: info@coolsense.co.nz

SINGLE VAT INDUSTRIAL DOUBLE BANK INSTALLATION ILLUSTRATION



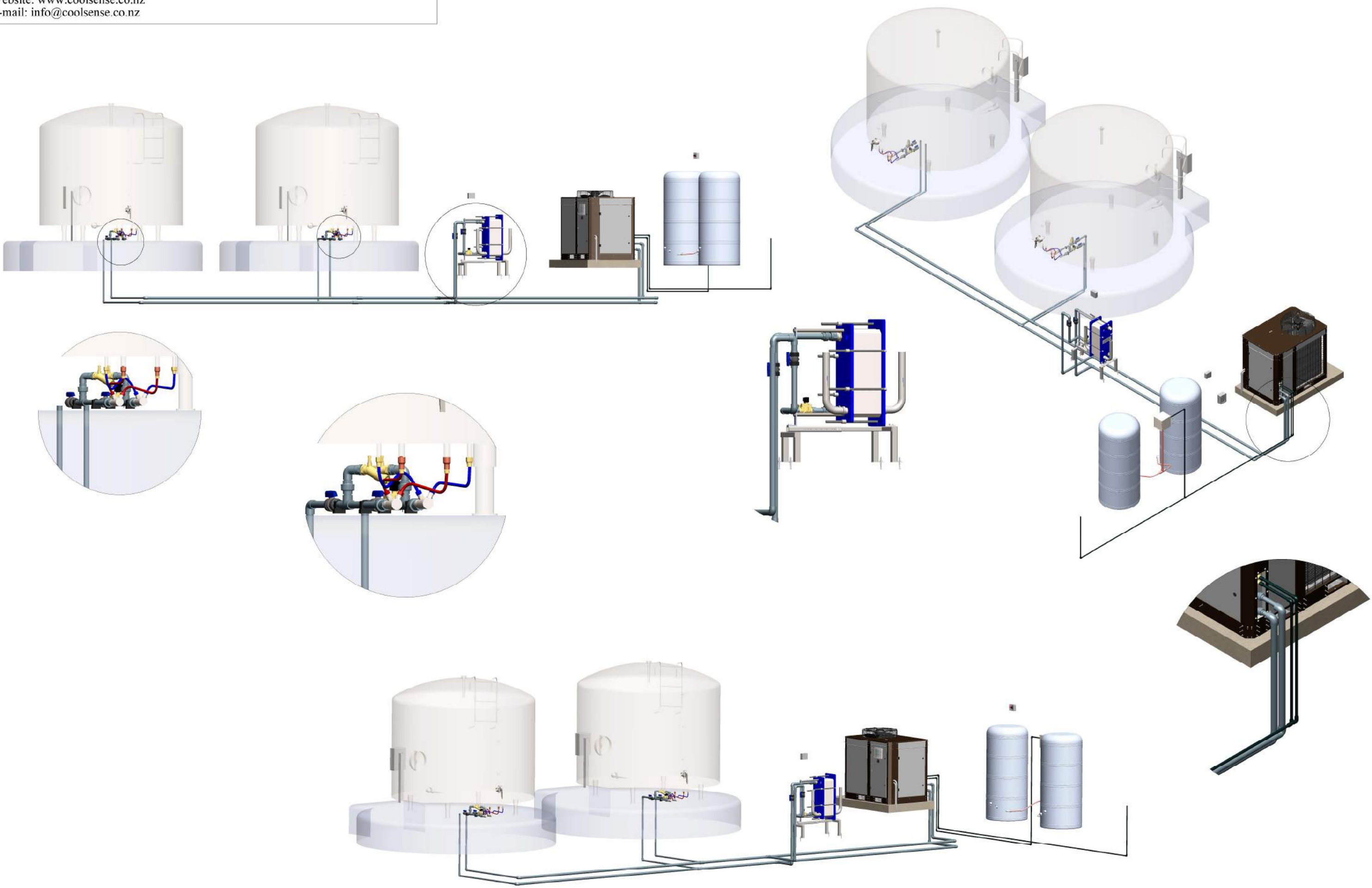
COPYRIGHT:
THIS DRAWING IS COPYRIGHT AND MUST NOT BE
RE-PRODUCED WITHOUT WRITTEN CONSENT OF
COOLSENSE NZ LTD.
TEL: +64 (0)7 849 0006
Address: 618D Te Rapa Road, Te Rapa, PO BOX 10186, Hamilton 3200, New Zealand.
Website: www.coolsense.co.nz
E-mail: info@coolsense.co.nz

SINGLE VAT SECONDARY HEAT EXCHANGER INSTALLATION ILLUSTRATION



COPYRIGHT:
THIS DRAWING IS COPYRIGHT AND MUST NOT BE
RE-PRODUCED WITHOUT WRITTEN CONSENT OF
COOLSENSE NZ LTD.
TEL: +64 (0)7 849 0006
Address: 618D Te Rapa Road, Te Rapa, PO BOX 10186, Hamilton 3200, New Zealand.
Website: www.coolsense.co.nz
E-mail: info@coolsense.co.nz

TWIN VAT INDUSTRIAL DOUBLE BANK INSTALLATION ILLUSTRATION



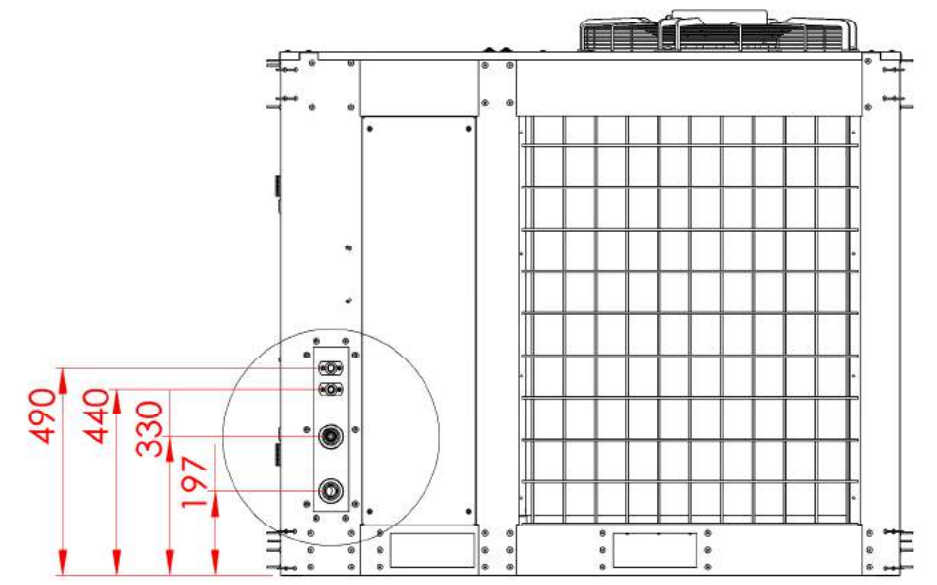
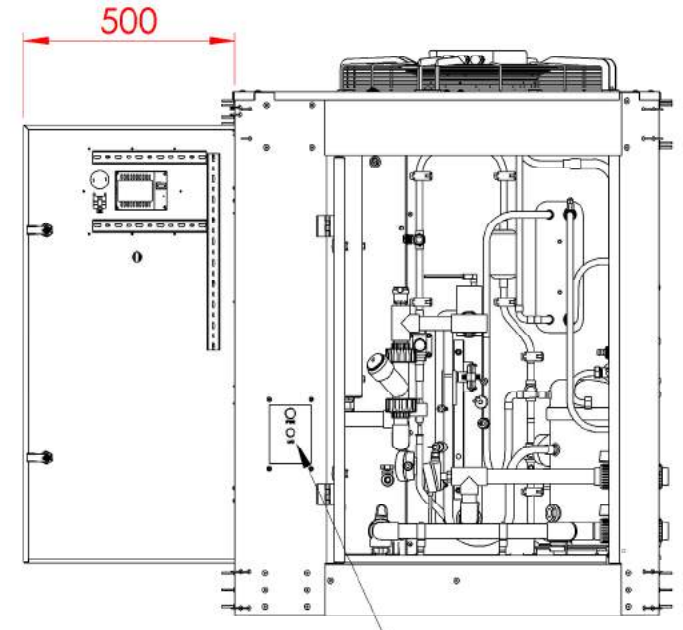
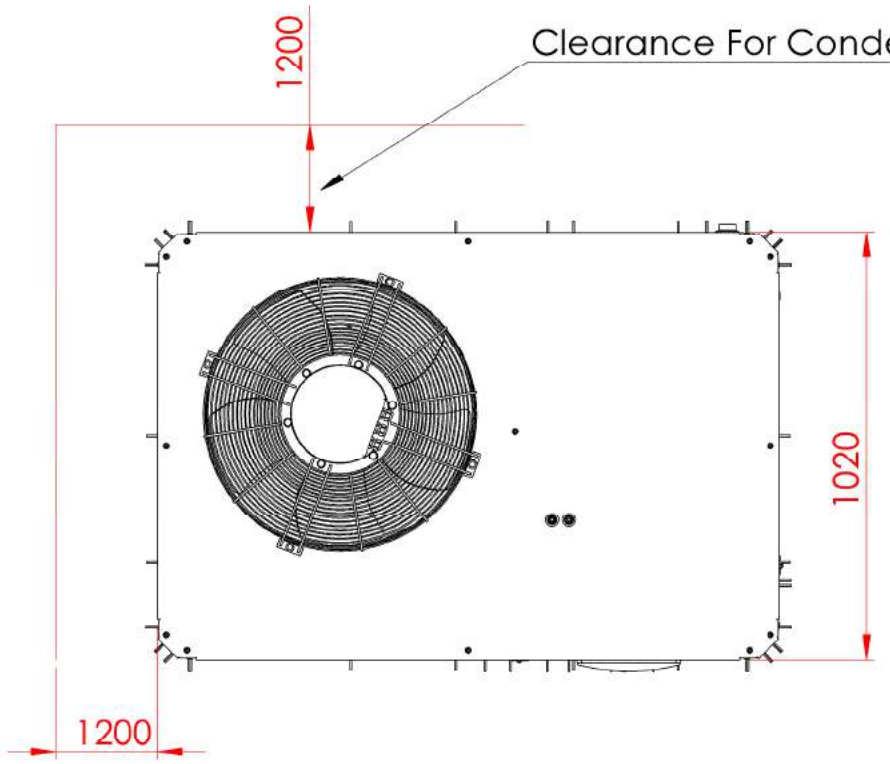
COPYRIGHT:
THIS DRAWING IS COPYRIGHT AND MUST NOT BE
RE-PRODUCED WITHOUT WRITTEN CONSENT OF
COOLSENSE NZ LTD.
TEL: +64 (0)7 849 0006
Address: 618D Te Rapa Road, Te Rapa, PO BOX 10186, Hamilton 3200, New Zealand.
Website: www.coolsense.co.nz
E-mail: info@coolsense.co.nz

TWIN VAT SECONDARY HEAT EXCHANGER INSTALLATION ILLUSTRATION

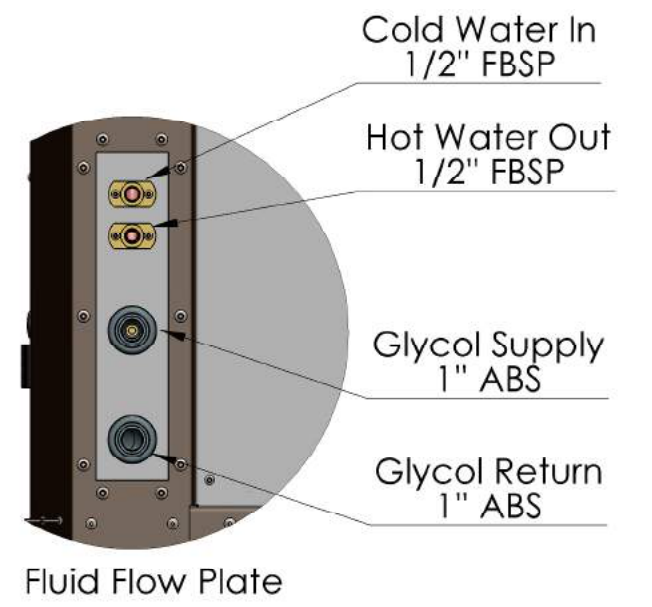
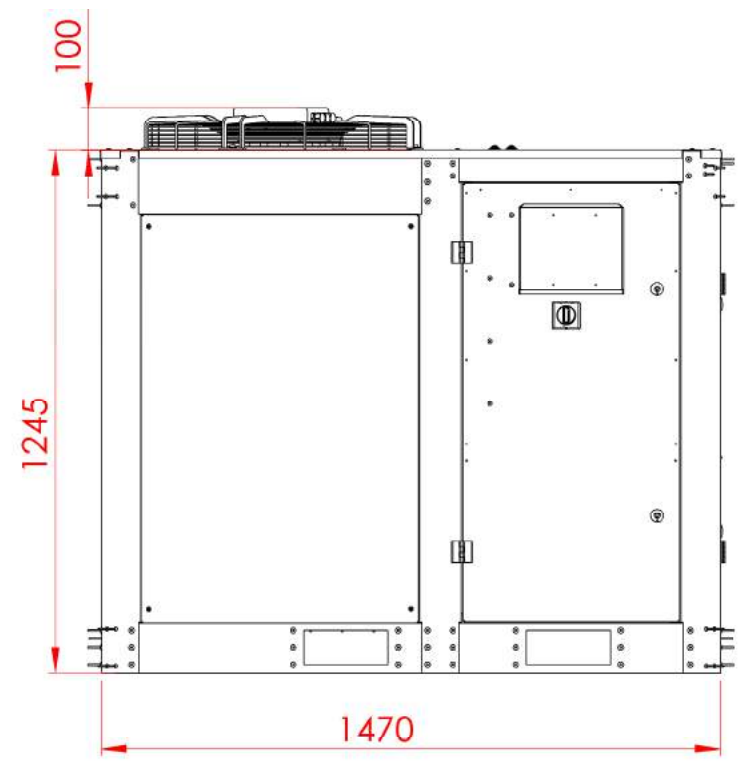
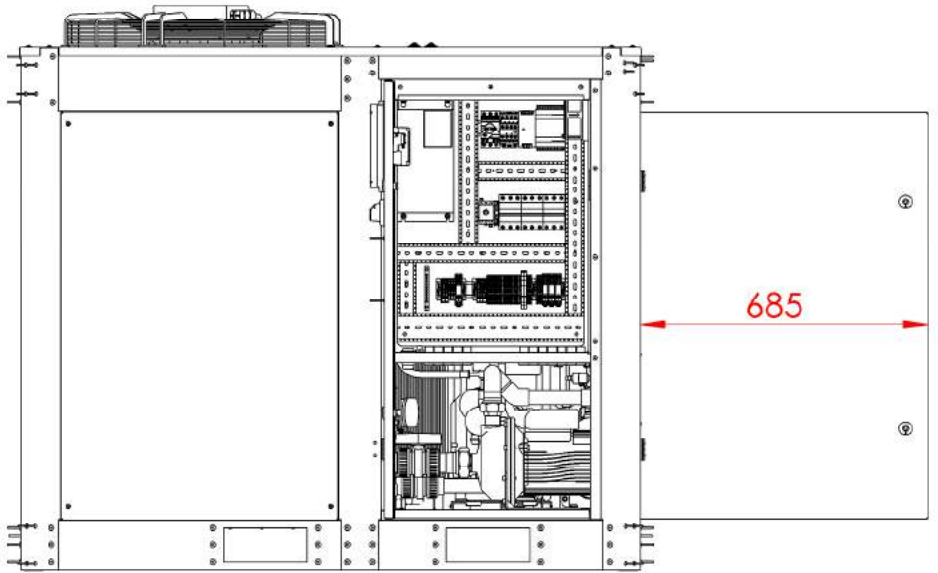


COPYRIGHT:
 THIS DRAWING IS COPYRIGHT AND MUST NOT BE
 RE-PRODUCED WITHOUT WRITTEN CONSENT OF
 COOLSENSE NZ LTD.
 TEL: +64 (0)7 849 0006
 Address: 618D Te Rapa Road, Te Rapa, PO BOX 10186, Hamilton 3200, New Zealand.
 Website: www.coolsense.co.nz
 E-mail: info@coolsense.co.nz

VARI-CHILL 7.5 SPECIFICATION



Electrical Connection Point



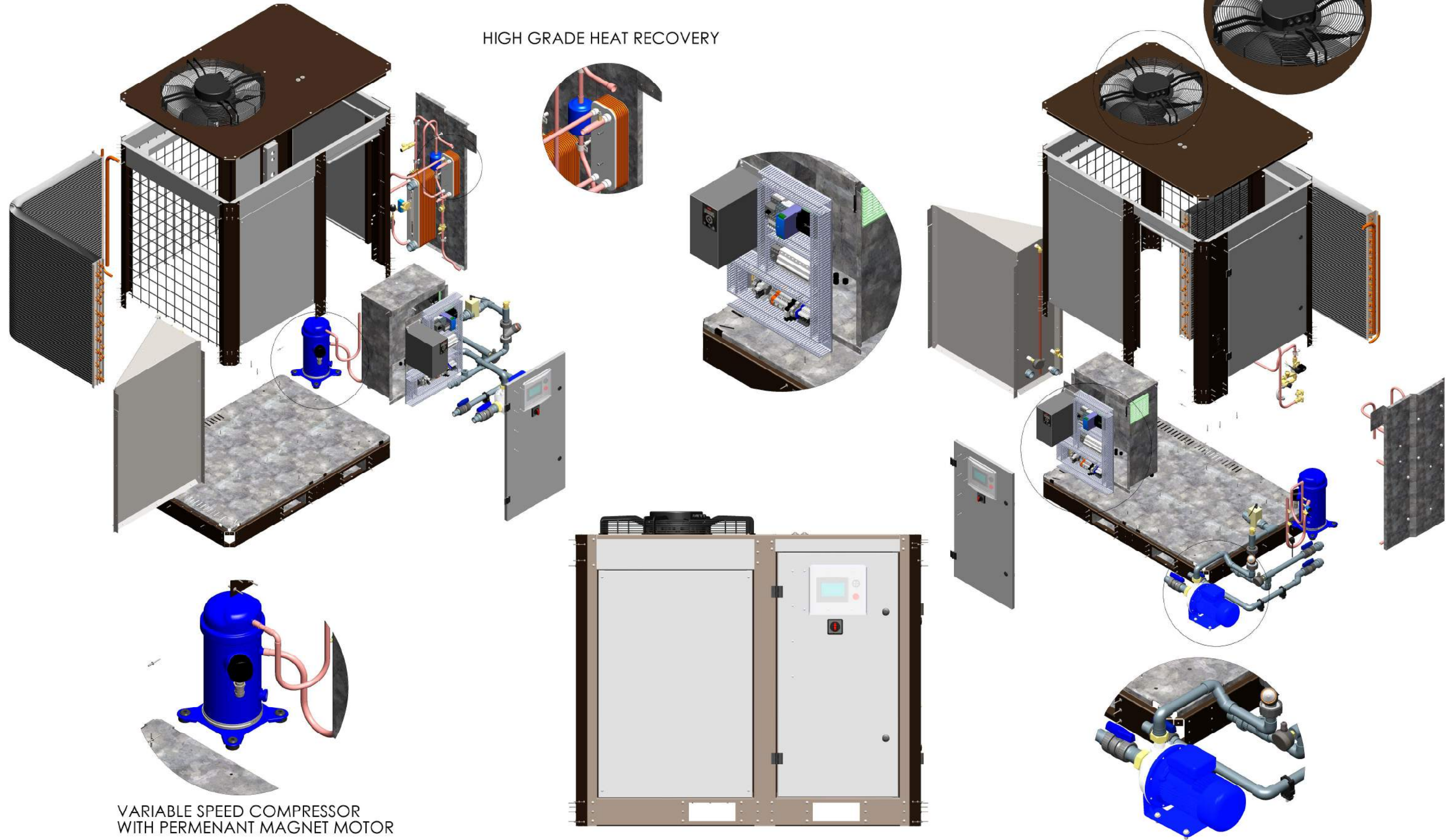
Model Number	VCHILL-INT-2.5-HR-INSUL
Phase	3
Volts	415
Hz	50
Refrigerant	R410A
Charge(kg)	7.2
Refrigerant Oil	Polyester 160SZ
Weight(kg)	525
kW Input	9.72
Unitmm	mm

COPYRIGHT:
THIS DRAWING IS COPYRIGHT AND MUST NOT BE
RE-PRODUCED WITHOUT WRITTEN CONSENT OF
COOLSENSE NZ LTD.
TEL: +64 (0)7 849 0006
Address: 618D Te Rapa Road, Te Rapa, PO BOX 10186, Hamilton 3200, New Zealand.
Website: www.coolsense.co.nz
E-mail: info@coolsense.co.nz

VARI-CHILL 7.5 EXPLODED VIEW

VARIABLE SPEED EC FAN
(LOW KW CONSUMPTION)

HIGH GRADE HEAT RECOVERY



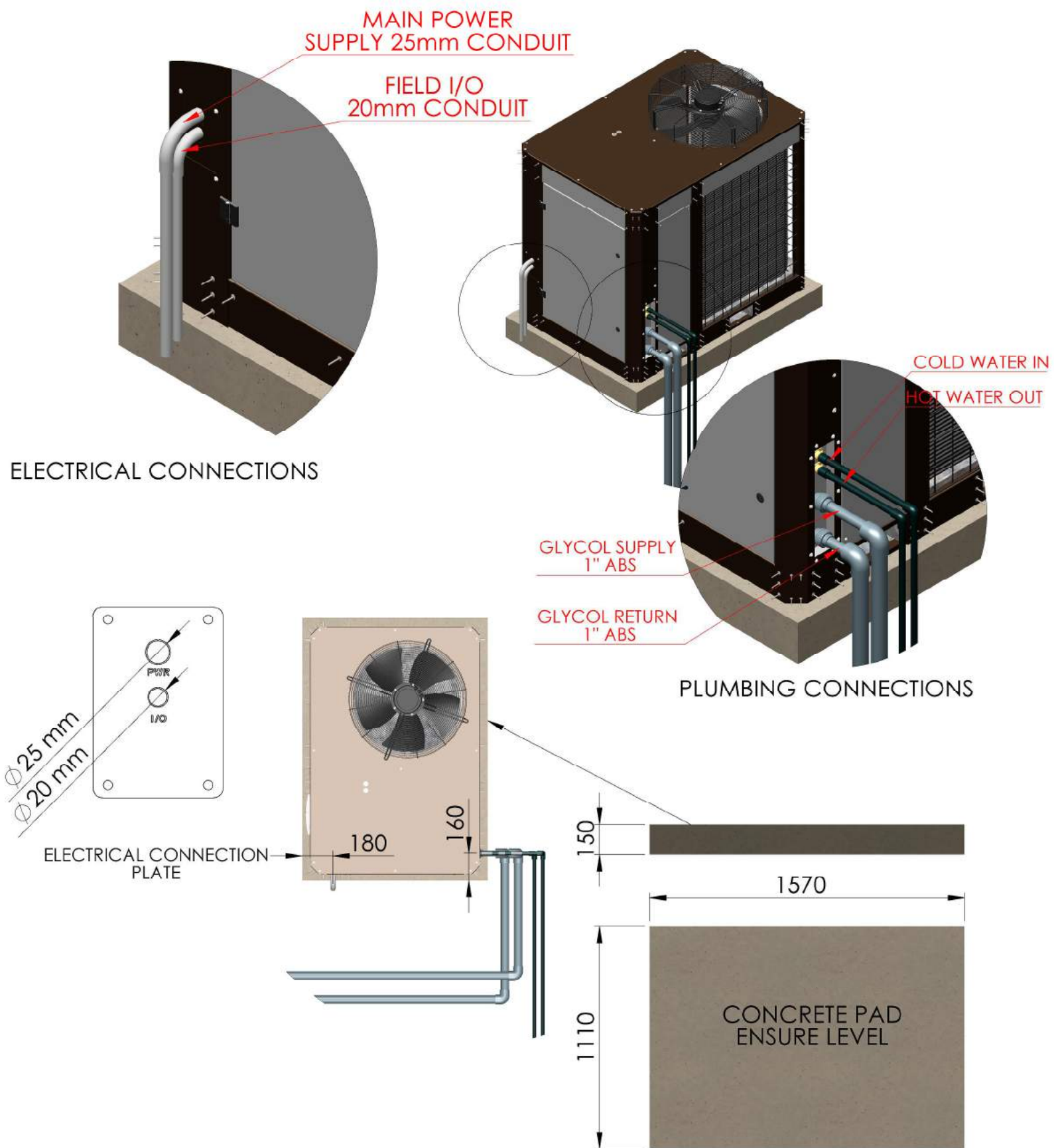
VARIABLE SPEED COMPRESSOR
WITH PERMENANT MAGNET MOTOR

HIGH EFFICIENCY CENTRIFUGAL PUMP

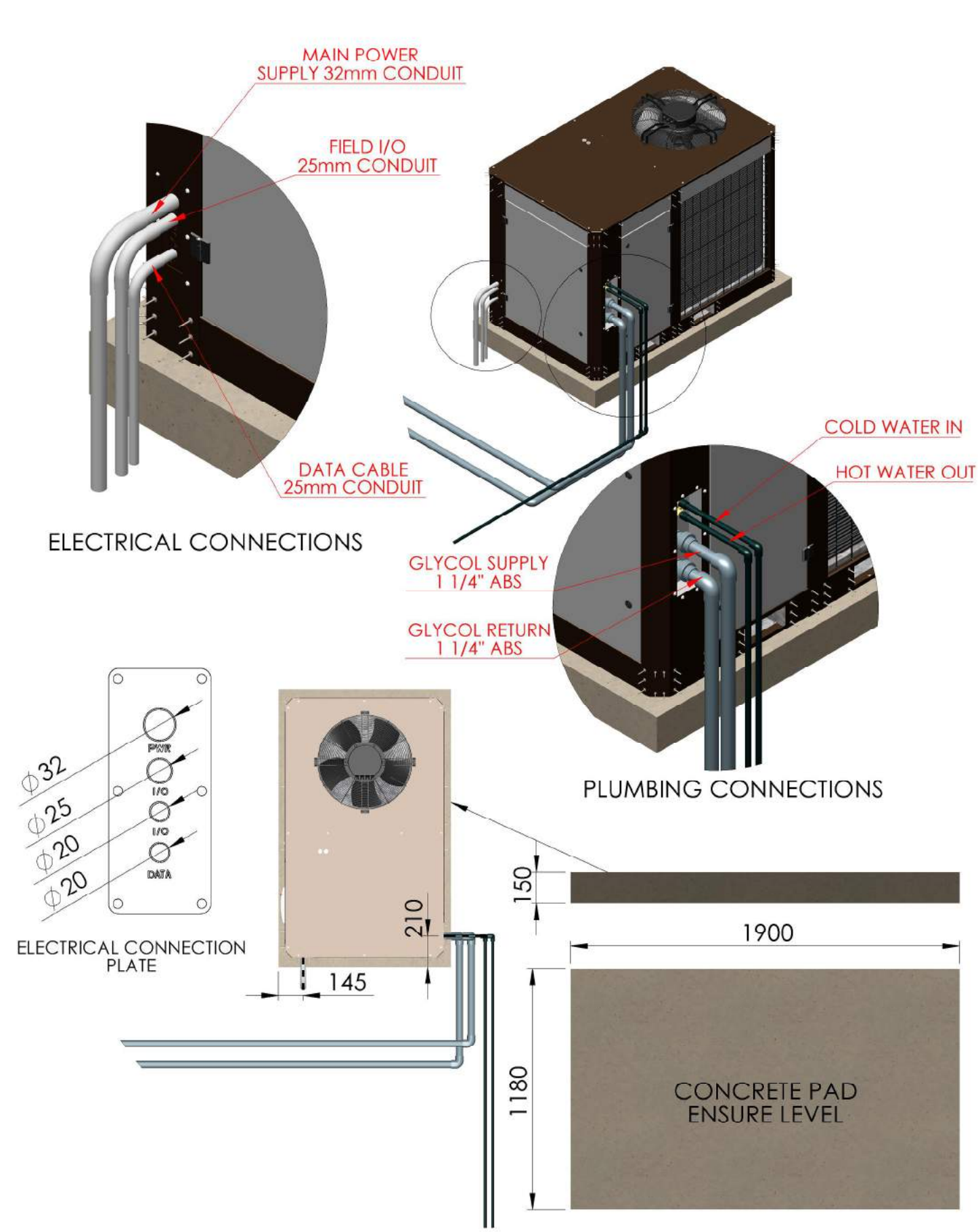
COPYRIGHT:
 THIS DRAWING IS COPYRIGHT AND MUST NOT BE
 RE-PRODUCED WITHOUT WRITTEN CONSENT OF
 COOLSENSE NZ LTD.
 TEL: +64 (0)7 849 0006
 Address: 618D Te Rapa Road, Te Rapa, PO BOX 10186, Hamilton 3200, New Zealand.
 Website: www.coolsense.co.nz
 E-mail: info@coolsense.co.nz



VARI-CHILL 7.5 ELECTRICAL AND HYDRONIC INSTALLATION WITH PLINTH

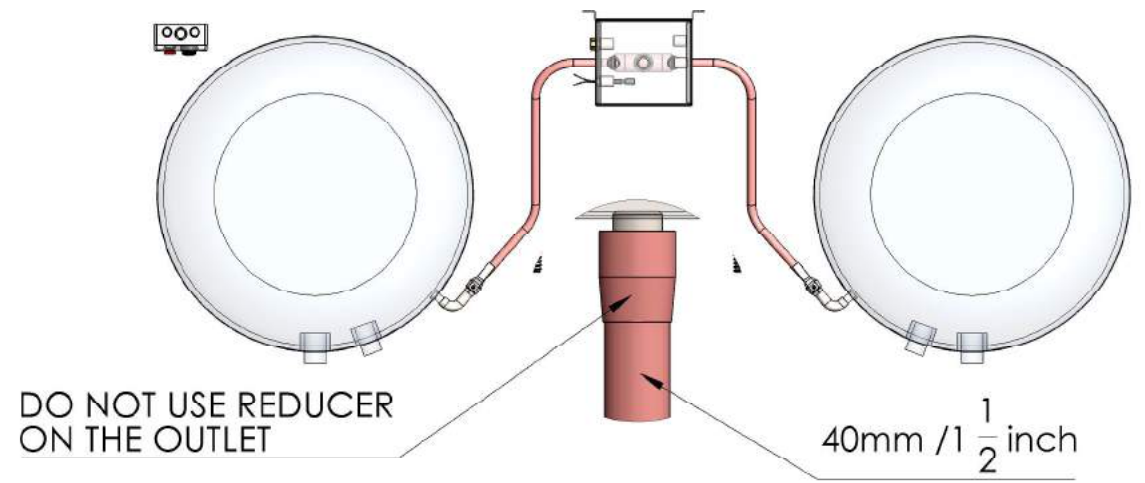
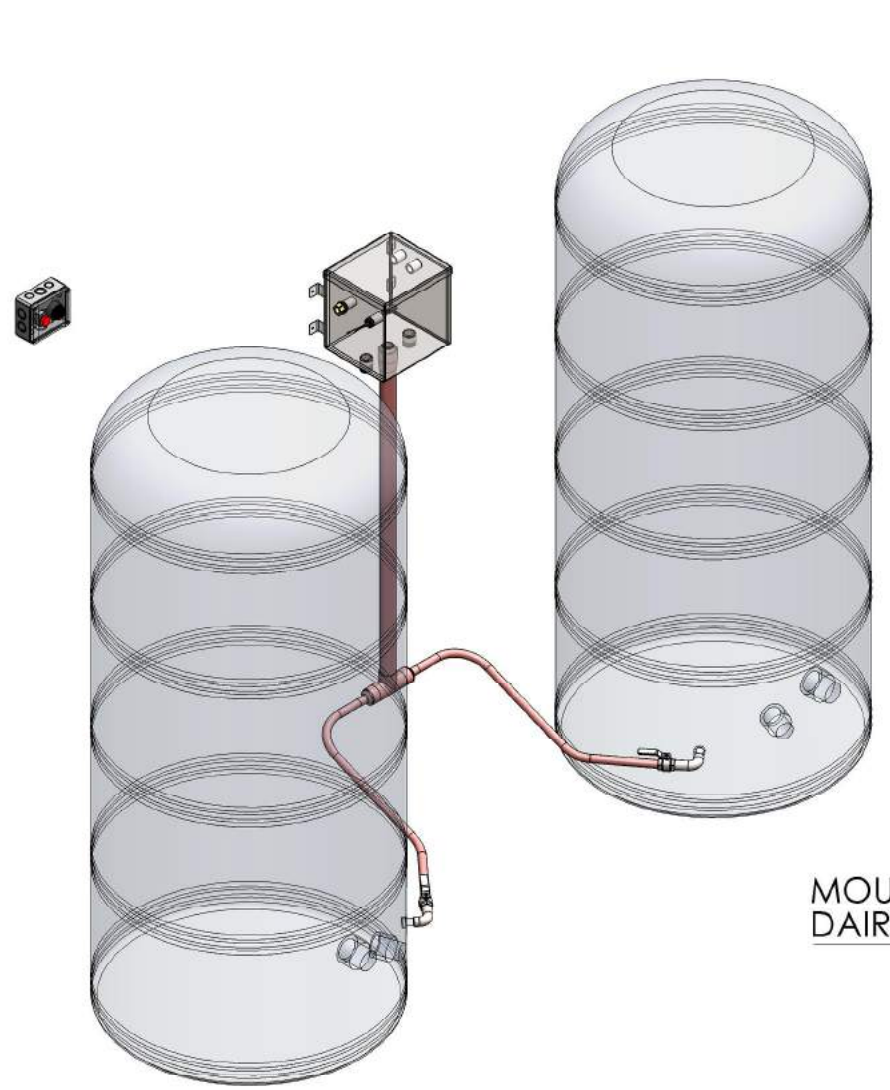


VARI-COOL JNR & VARI-CHILL 15 ELECTRICAL AND HYDRONIC INSTALLATION WITH PLINTH

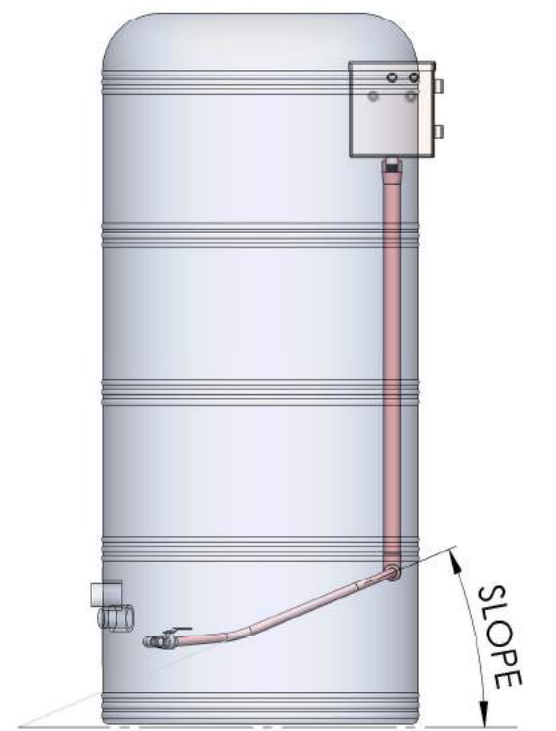
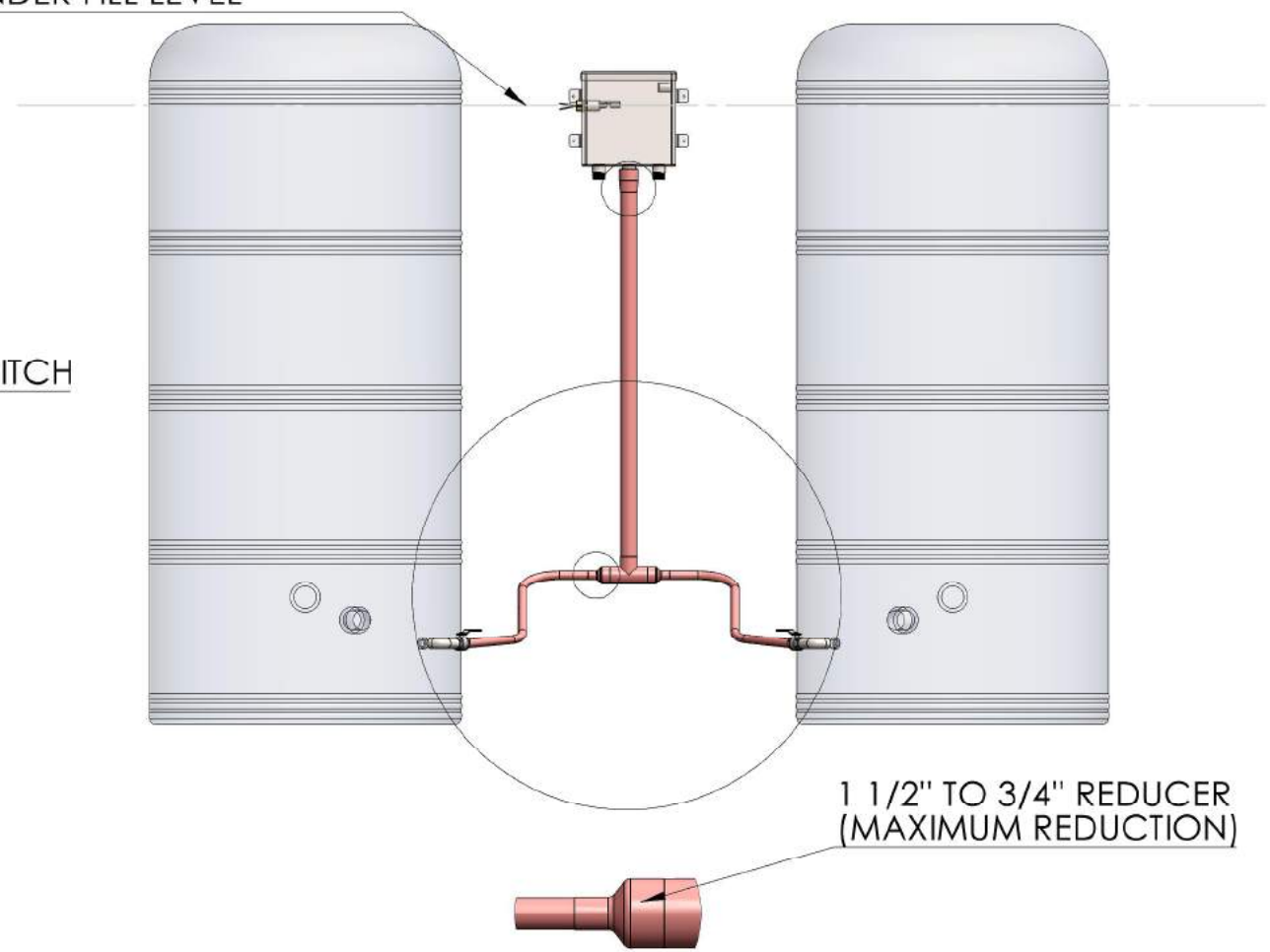
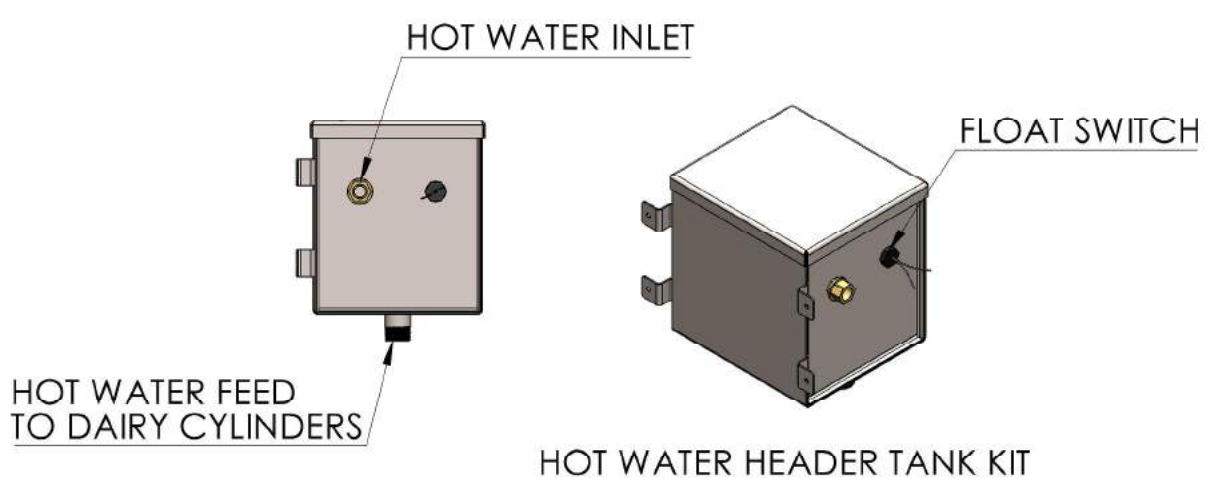
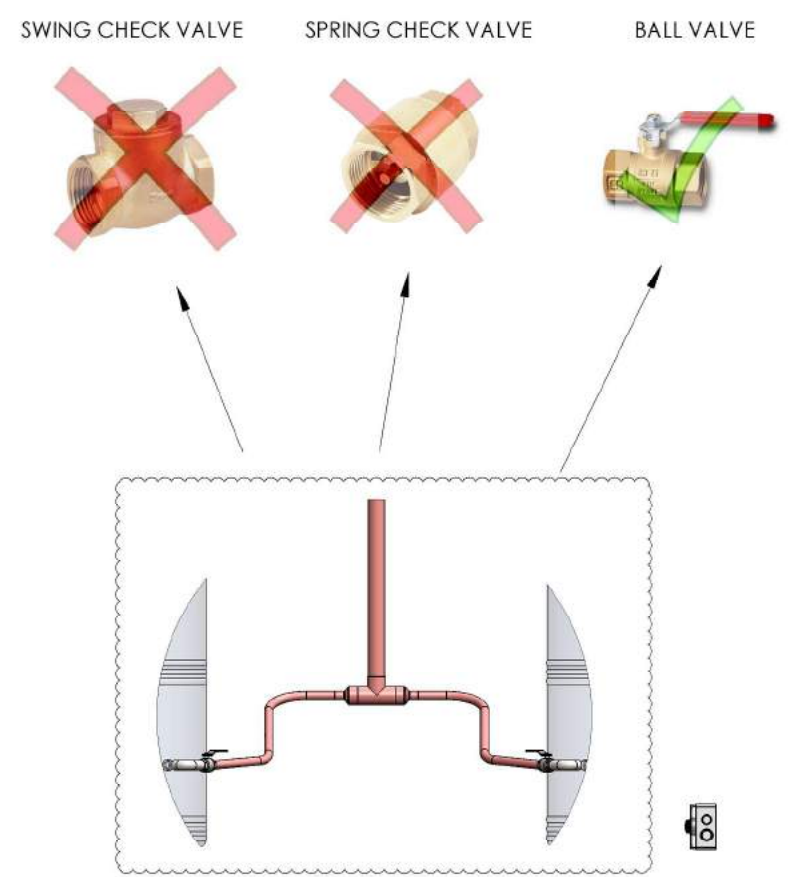


COPYRIGHT:
 THIS DRAWING IS COPYRIGHT AND MUST NOT BE
 RE-PRODUCED WITHOUT WRITTEN CONSENT OF
 COOLSENSE LTD.
 TEL: +64 (0)7 849 0006
 Address: 618D Te Rapa Road, Te Rapa, PO BOX 10186, Hamilton 3200, New Zealand.
 Website: www.coolsense.co.nz
 E-mail: info@coolsense.co.nz

HEAT RECOVERY HEADER TANK TO DAIRY CYLINDERS FOR ALL MODELS

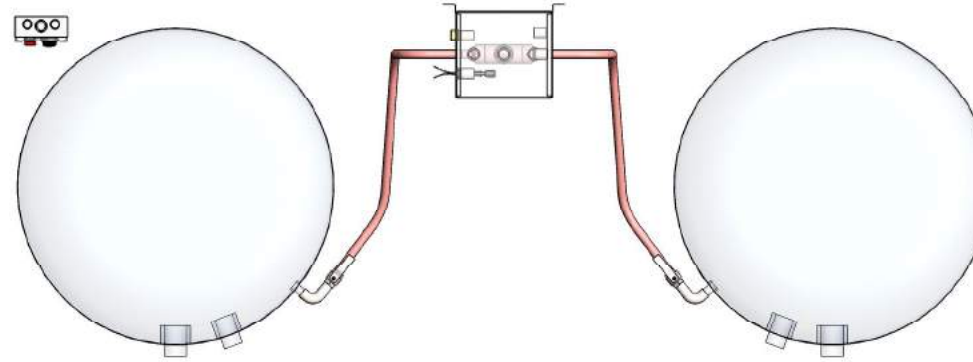
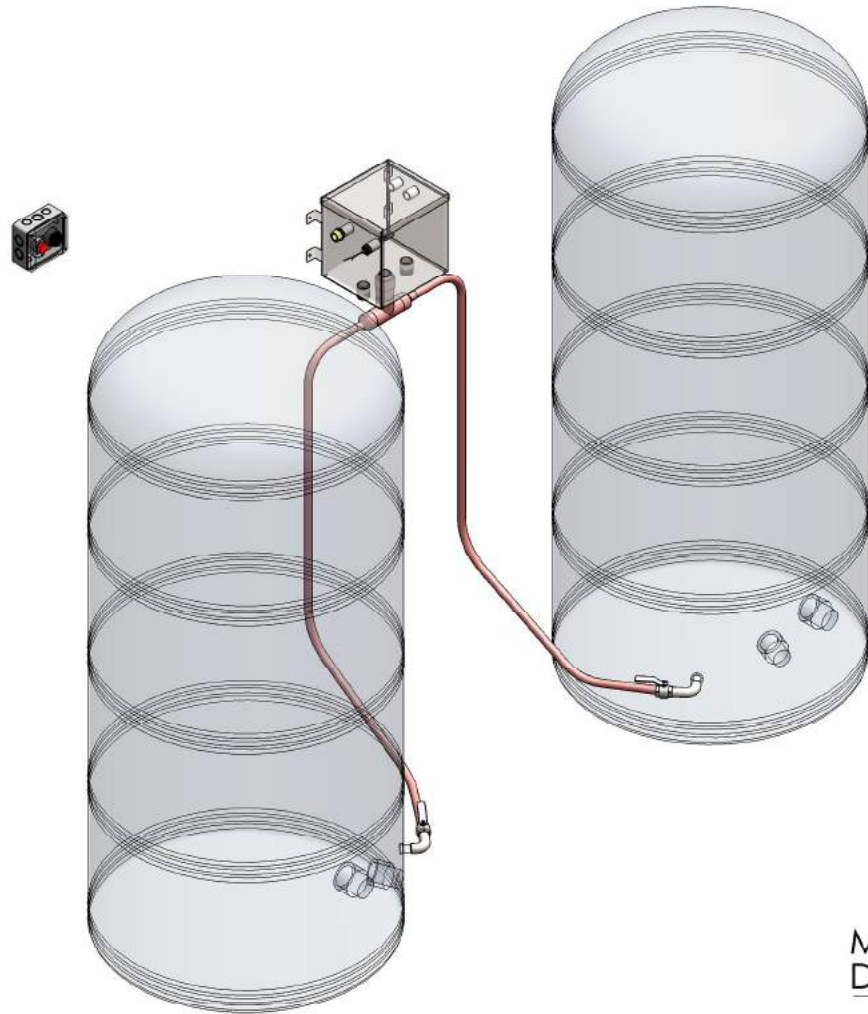


NOTE:
 THIS CONFIGURATION WILL DRAIN BOTH CYLINDERS EQUALLY.

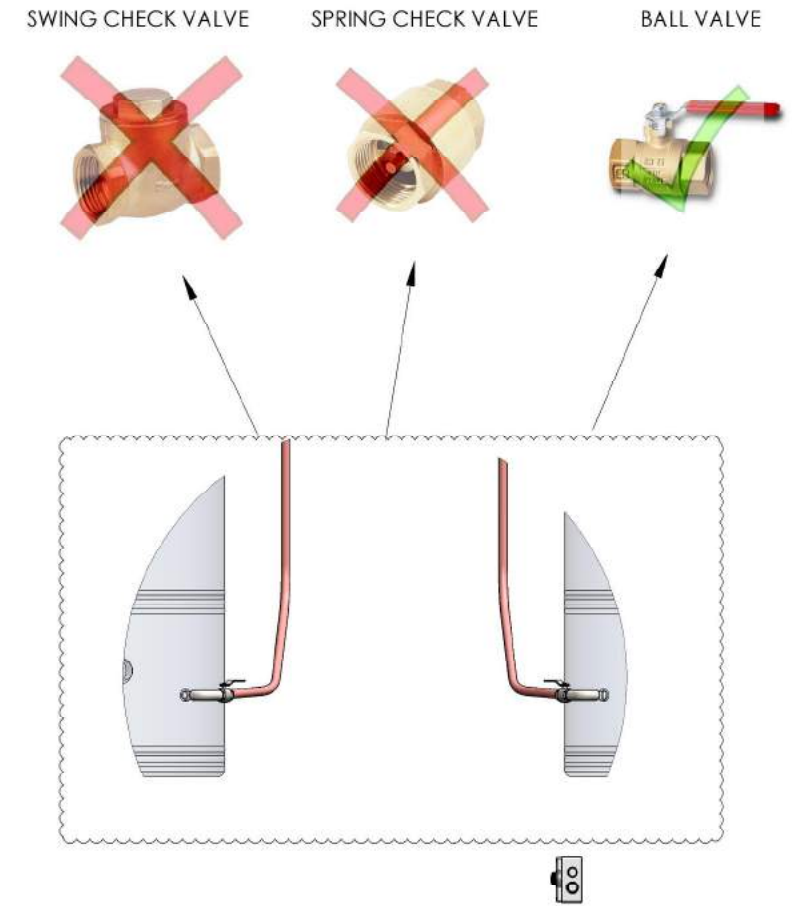


COPYRIGHT:
 THIS DRAWING IS COPYRIGHT AND MUST NOT BE
 RE-PRODUCED WITHOUT WRITTEN CONSENT OF
 COOLSENSE LTD.
 TEL: +64 (0)7 849 0006
 Address: 618D Te Rapa Road, Te Rapa, PO BOX 10186, Hamilton 3200, New Zealand.
 Website: www.coolsense.co.nz
 E-mail: info@coolsense.co.nz

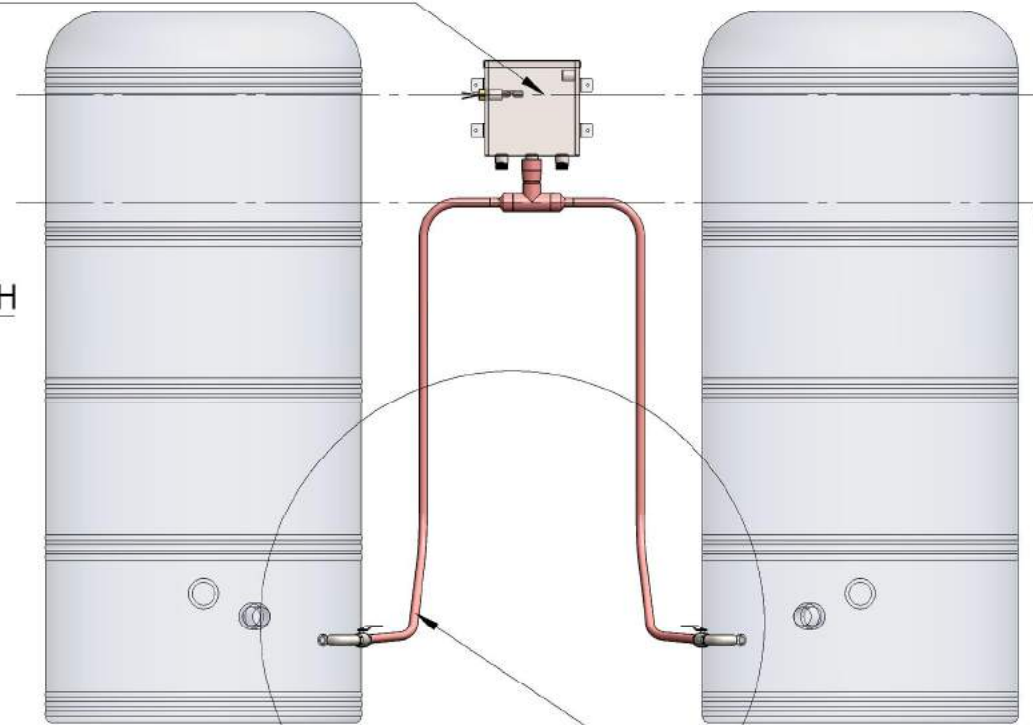
HEAT RECOVERY HEADER TANK TO DAIRY CYLINDERS FOR ALL MODELS (EMPTY FIRST FILL-NON EQUALISING)



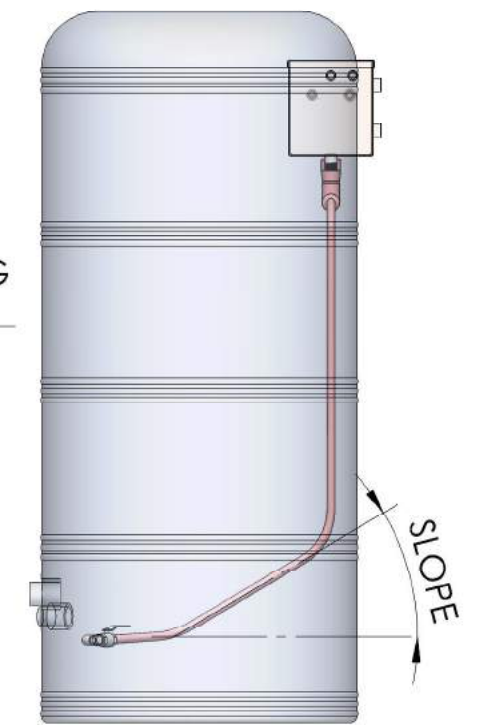
NOTE:
 THIS CONFIGURATION WILL ALLOW THE DAIRY
 CYLINDERS TO BE EMPTIED INDEPENDENTLY FROM
 EACH OTHER



**MOUNT HEADER TANK TO CORRECT
 DAIRY CYLINDER FILL LEVEL**



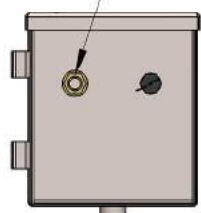
**REMAINING
 FILL LEVEL**



SLOPE

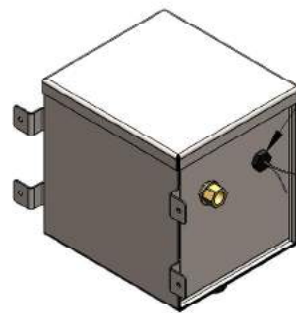
3/4" MINIMUM PIPE BORE

HOT WATER INLET



**HOT WATER FEED
 TO DAIRY CYLINDERS**

FLOAT SWITCH



HOT WATER HEADER TANK KIT