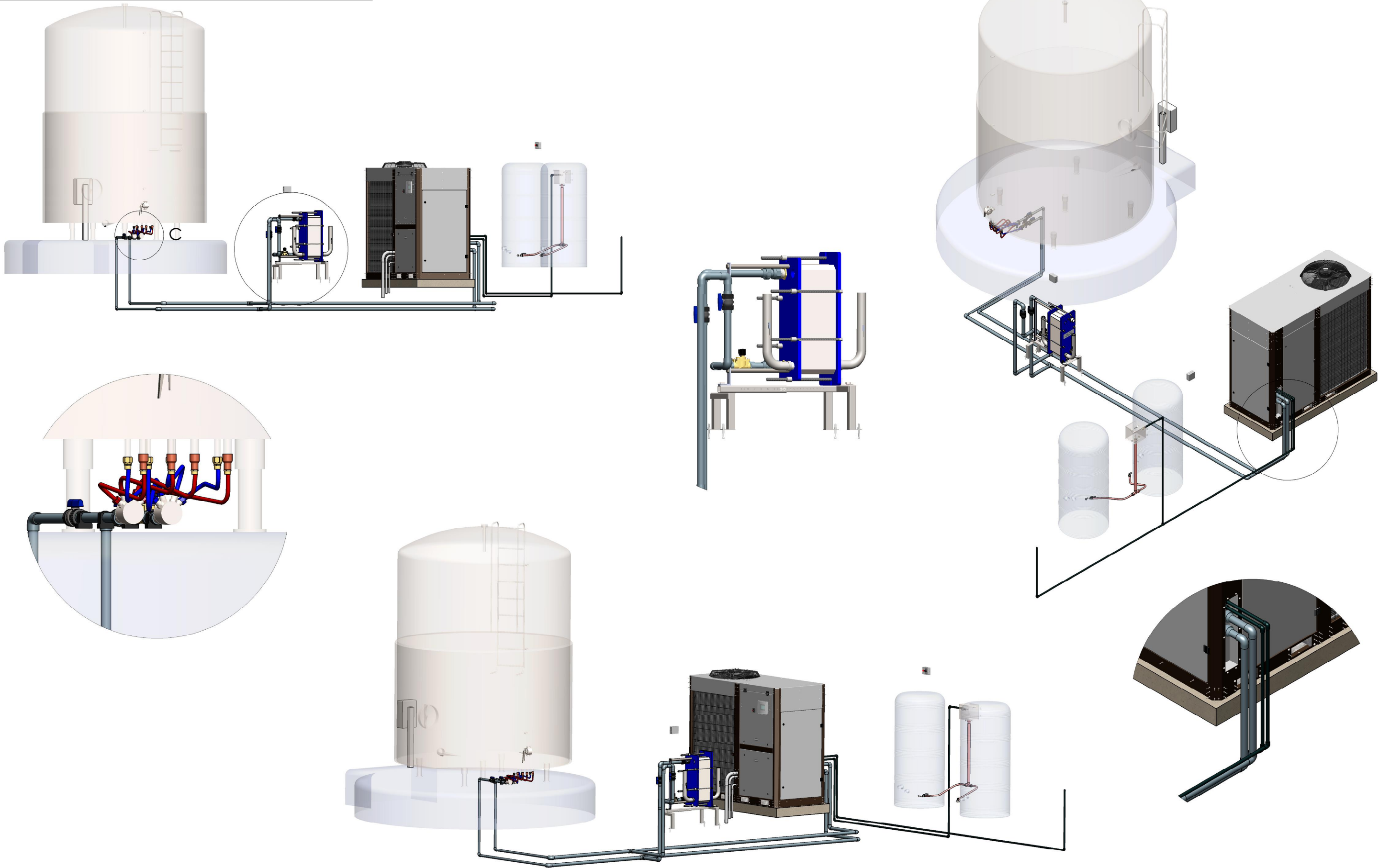


VARICOOL | **18**
ECO-REFRIGERATION TECHNOLOGIES

TURN
ME OVER
FOR A GRAPHICAL
VIEW OF AN INSTALLATION

COPYRIGHT:
THIS DRAWING IS COPYRIGHT AND MUST NOT BE
RE-PRODUCED WITHOUT WRITTEN CONSENT OF
COOLSENSE NZ LTD.
TEL: +64 (0)7 849 0006
Address: 618D Te Rapa Road, Te Rapa, PO BOX 10186, Hamilton 3200, New Zealand.
Website: www.coolsense.co.nz
E-mail: info@coolsense.co.nz

SINGLE VAT INDUSTRIAL DOUBLE BANK INSTALLATION ILLUSTRATION



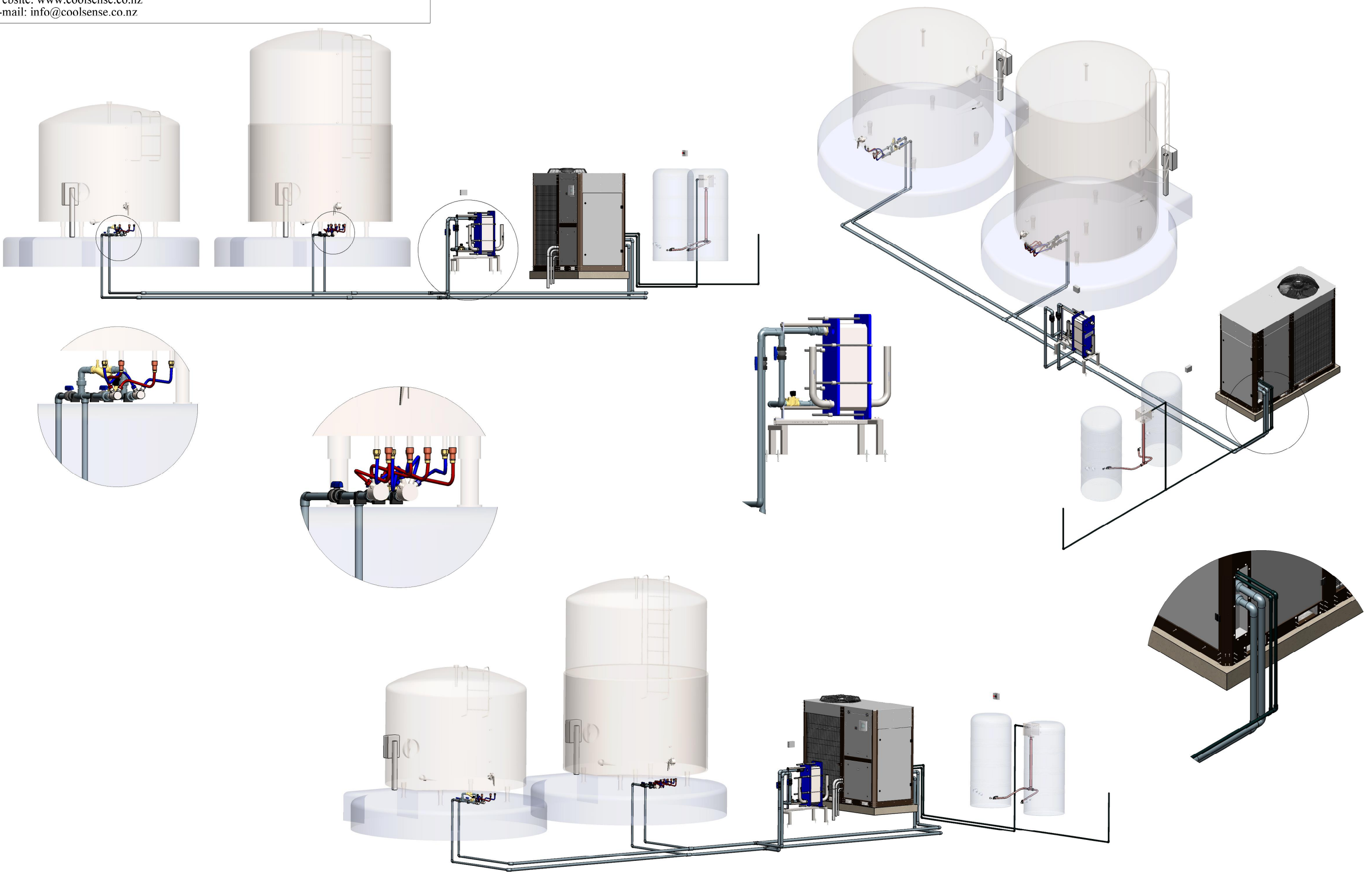
COPYRIGHT:
THIS DRAWING IS COPYRIGHT AND MUST NOT BE
RE-PRODUCED WITHOUT WRITTEN CONSENT OF
COOLSENSE NZ LTD.
TEL: +64 (0)7 849 0006
Address: 618D Te Rapa Road, Te Rapa, PO BOX 10186, Hamilton 3200, New Zealand.
Website: www.coolsense.co.nz
E-mail: info@coolsense.co.nz

SINGLE VAT SECONDARY HEAT EXCHANGER INSTALLATION ILLUSTRATION



COPYRIGHT:
THIS DRAWING IS COPYRIGHT AND MUST NOT BE
RE-PRODUCED WITHOUT WRITTEN CONSENT OF
COOLSENSE NZ LTD.
TEL: +64 (0)7 849 0006
Address: 618D Te Rapa Road, Te Rapa, PO BOX 10186, Hamilton 3200, New Zealand.
Website: www.coolsense.co.nz
E-mail: info@coolsense.co.nz

TWIN VAT INDUSTRIAL DOUBLE BANK INSTALLATION ILLUSTRATION



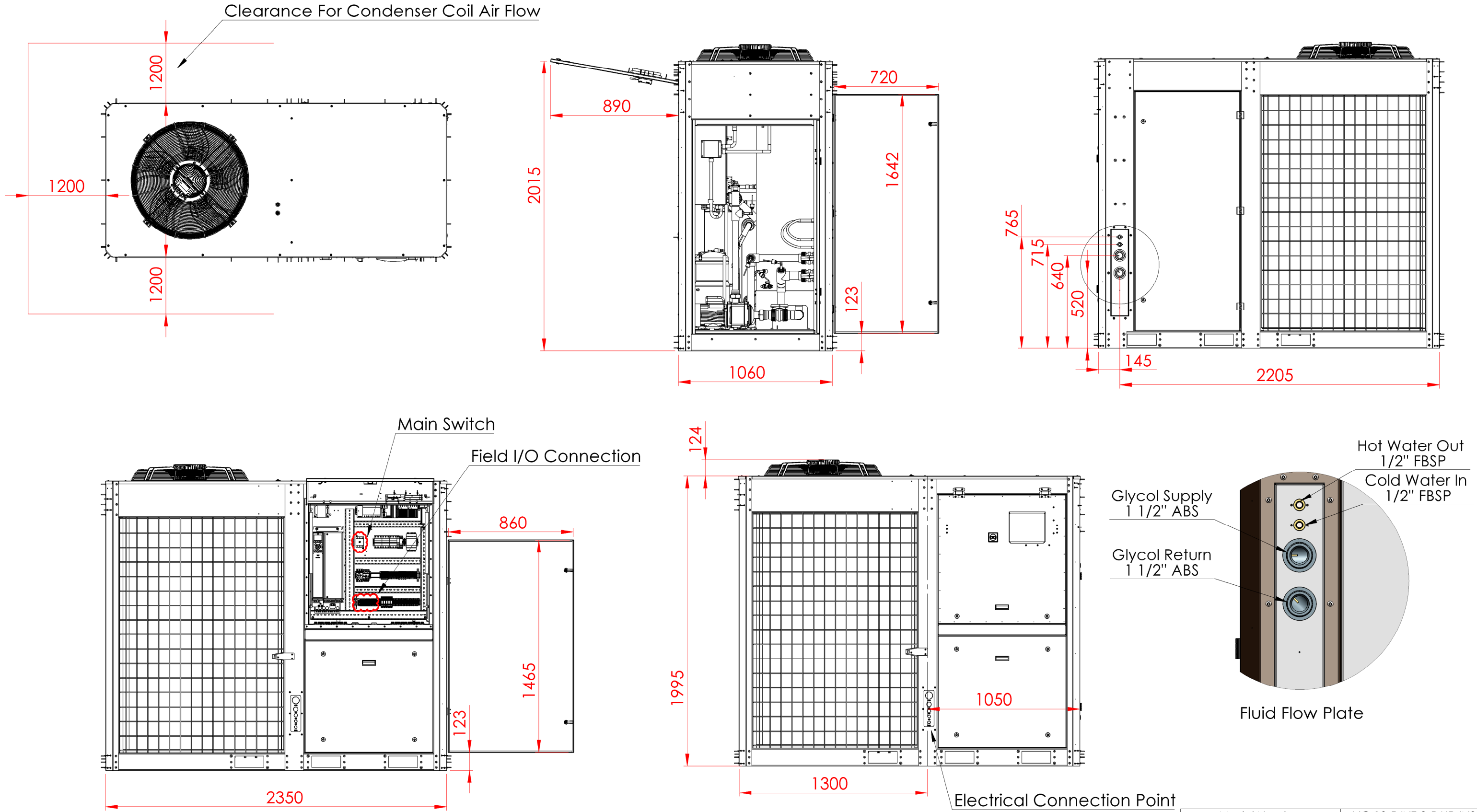
COPYRIGHT:
THIS DRAWING IS COPYRIGHT AND MUST NOT BE
RE-PRODUCED WITHOUT WRITTEN CONSENT OF
COOLSENSE NZ LTD.
TEL: +64 (0)7 849 0006
Address: 618D Te Rapa Road, Te Rapa, PO BOX 10186, Hamilton 3200, New Zealand.
Website: www.coolsense.co.nz
E-mail: info@coolsense.co.nz

TWIN VAT SECONDARY HEAT EXCHANGER INSTALLATION ILLUSTRATION



COPYRIGHT:
 THIS DRAWING IS COPYRIGHT AND MUST NOT BE
 RE-PRODUCED WITHOUT WRITTEN CONSENT OF
 COOLSENSE NZ LTD.
 TEL: +64 (0)7 849 0006
 Address: 618D Te Rapa Road, Te Rapa, PO BOX 10186, Hamilton 3200, New Zealand
 Website: www.coolsense.co.nz
 E-mail: info@coolsense.co.nz

VARI-COOL 18.5 SPECIFICATION



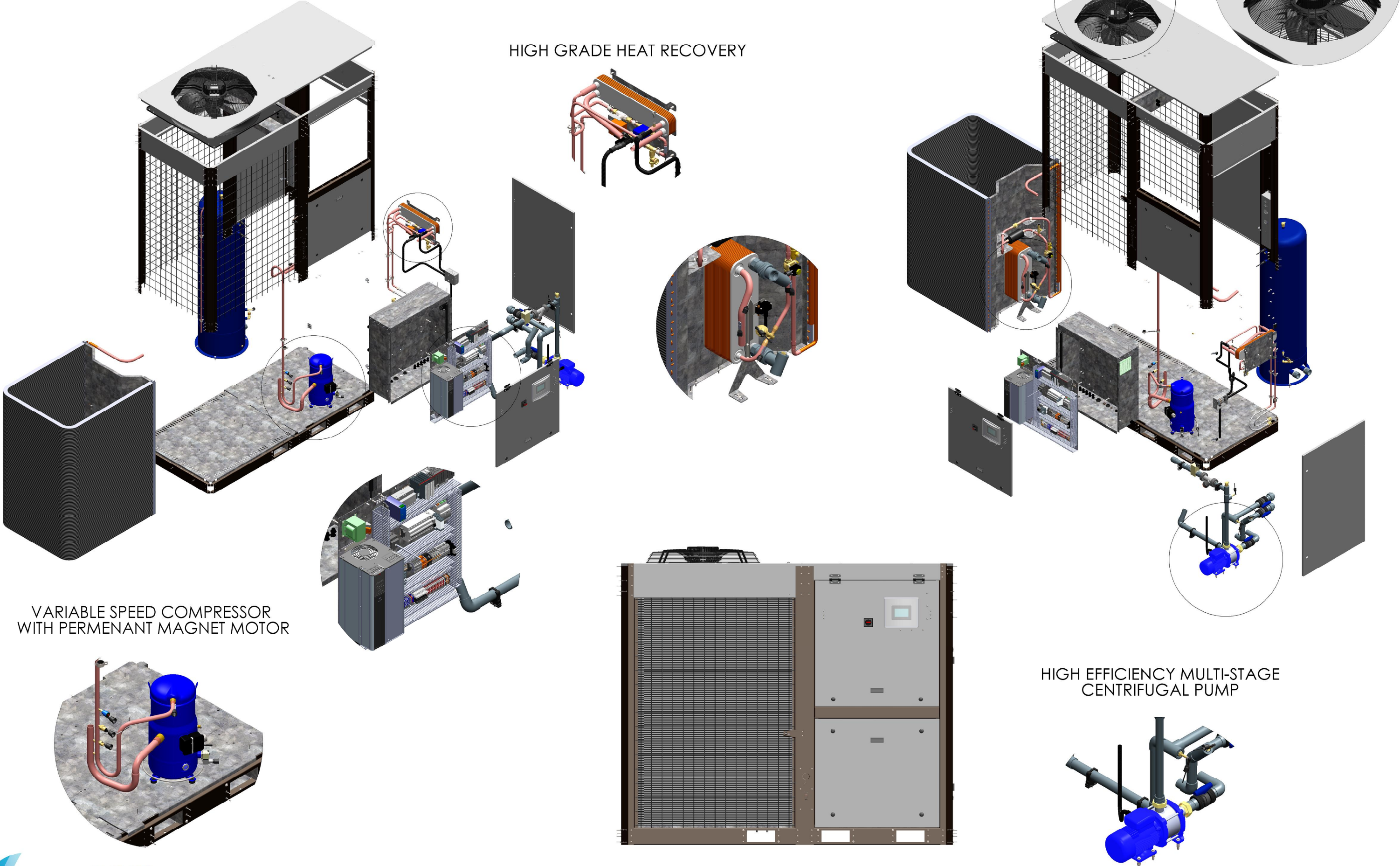
Model Number	VC-18.5-INT-3.5-HR-INSUL
Phase	3
Volts	415
Hz	50
Refrigerant	R410A
Charge (kg)	15.2
Refrigerant Oil	Polyester 160SZ
Weight (kg)	1000
kW Input	23.18
Unit	mm

COPYRIGHT:
THIS DRAWING IS COPYRIGHT AND MUST NOT BE
RE-PRODUCED WITHOUT WRITTEN CONSENT OF
COOLSENSE NZ LTD.
TEL: +64 (0)7 849 0006
Address: 618D Te Rapa Road, Te Rapa, PO BOX 10186, Hamilton 3200, New Zealand.
Website: www.coolsense.co.nz
E-mail: info@coolsense.co.nz

VARI-COOL 18.5 EXPLODED VIEW

VARIABLE SPEED EC FAN
(LOW KW CONSUMPTION)

HIGH GRADE HEAT RECOVERY

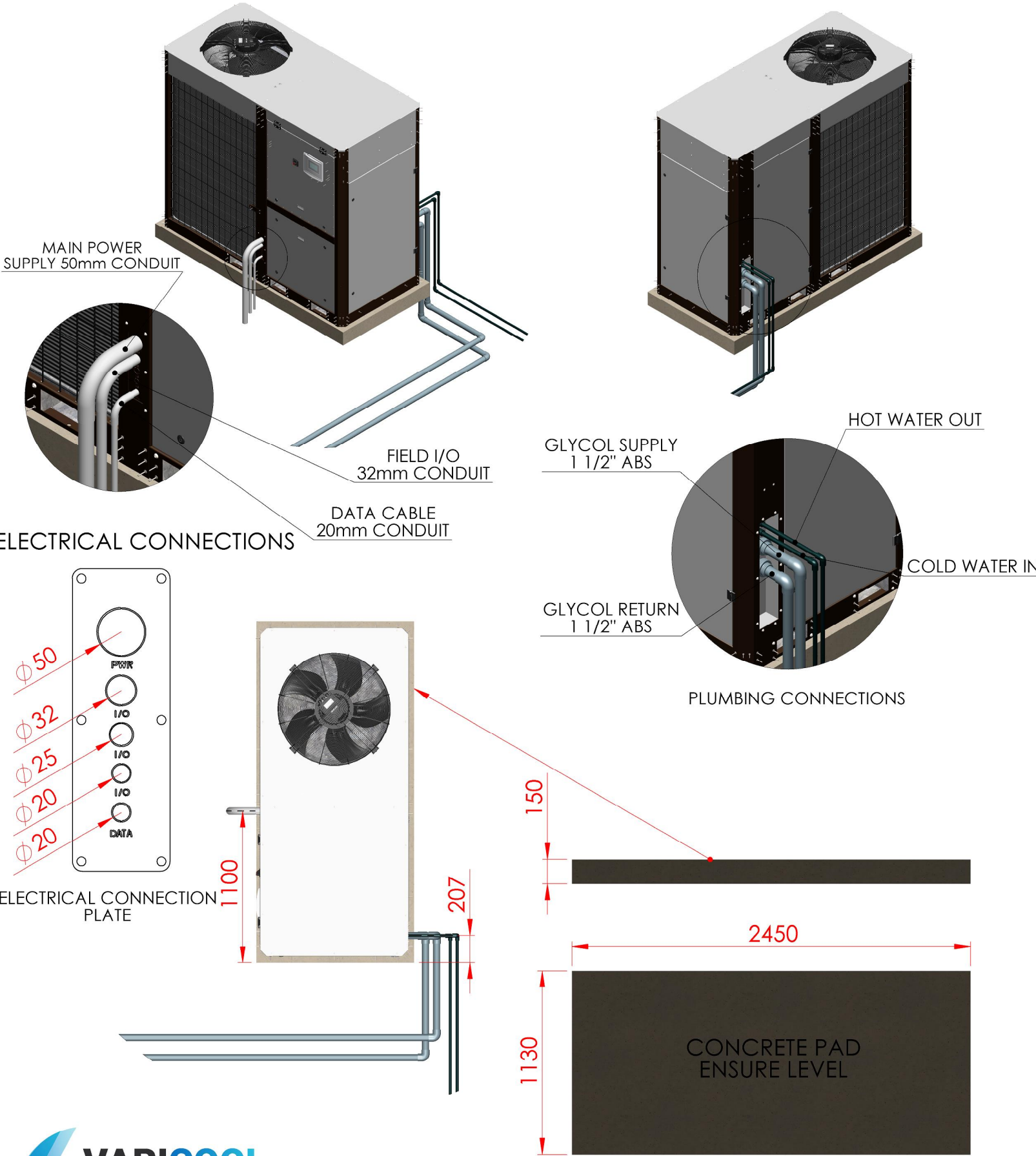


VARIABLE SPEED COMPRESSOR
WITH PERMENANT MAGNET MOTOR

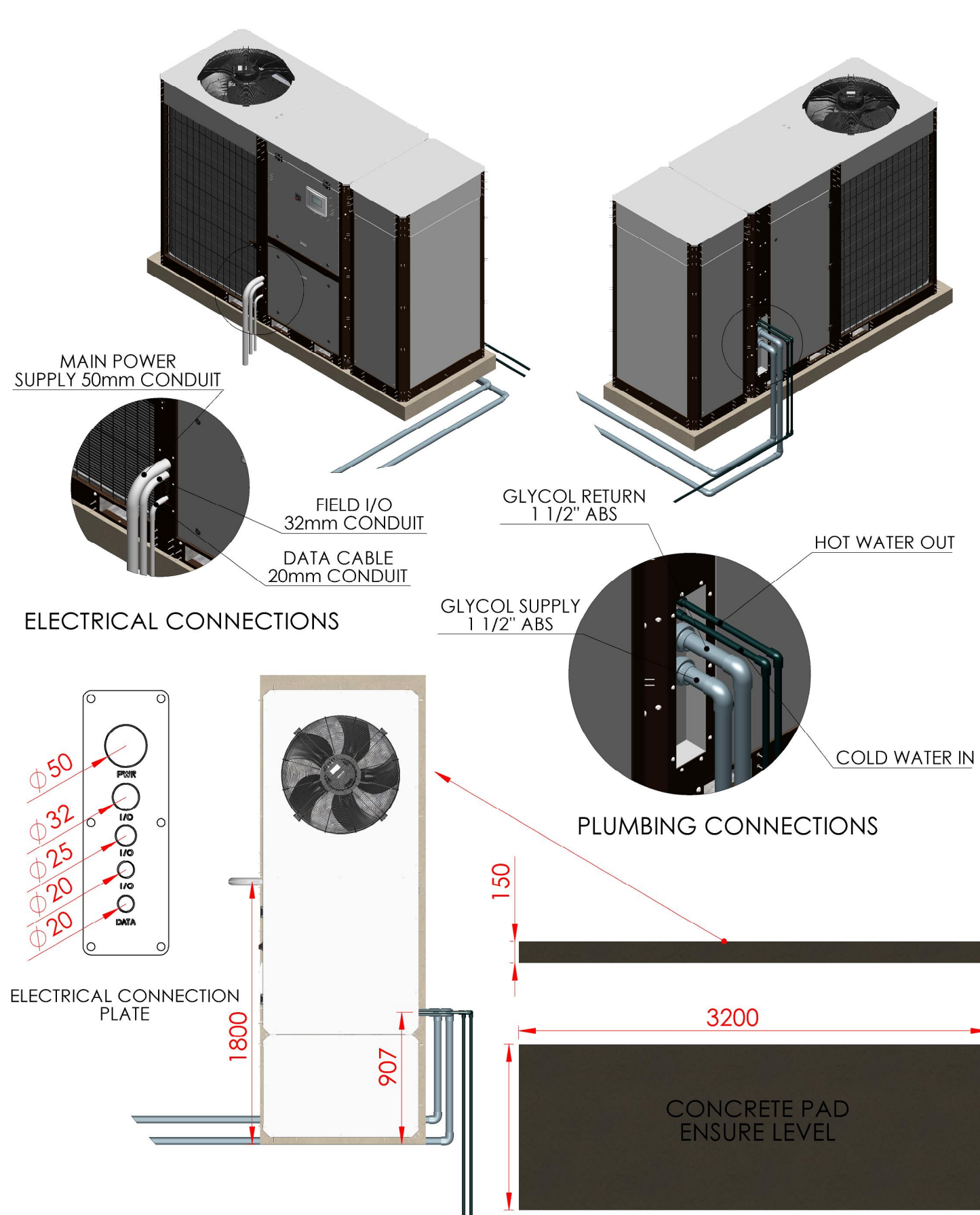
HIGH EFFICIENCY MULTI-STAGE
CENTRIFUGAL PUMP

COPYRIGHT:
 THIS DRAWING IS COPYRIGHT AND MUST NOT BE
 RE-PRODUCED WITHOUT WRITTEN CONSENT OF
 COOLSENSE NZ LTD.
 TEL: +64 (0)7 849 0006
 Address: 618D Te Rapa Road, Te Rapa, PO BOX 10186, Hamilton 3200, New Zealand.
 Website: www.coolsense.co.nz
 E-mail: info@coolsense.co.nz

**VARI-COOL 18.5 & 22 ELECTRICAL AND
 HYDRONIC INSTALLATION WITH PLINTH**

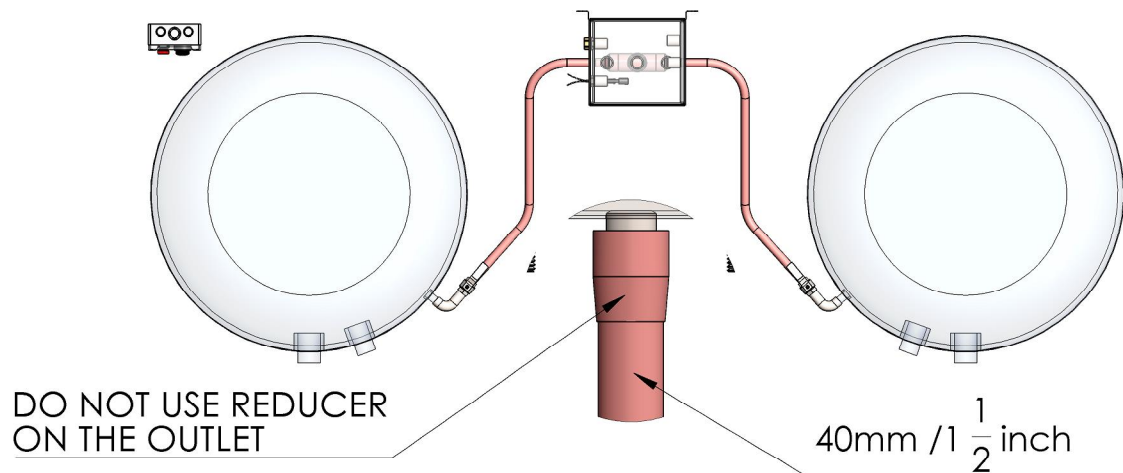
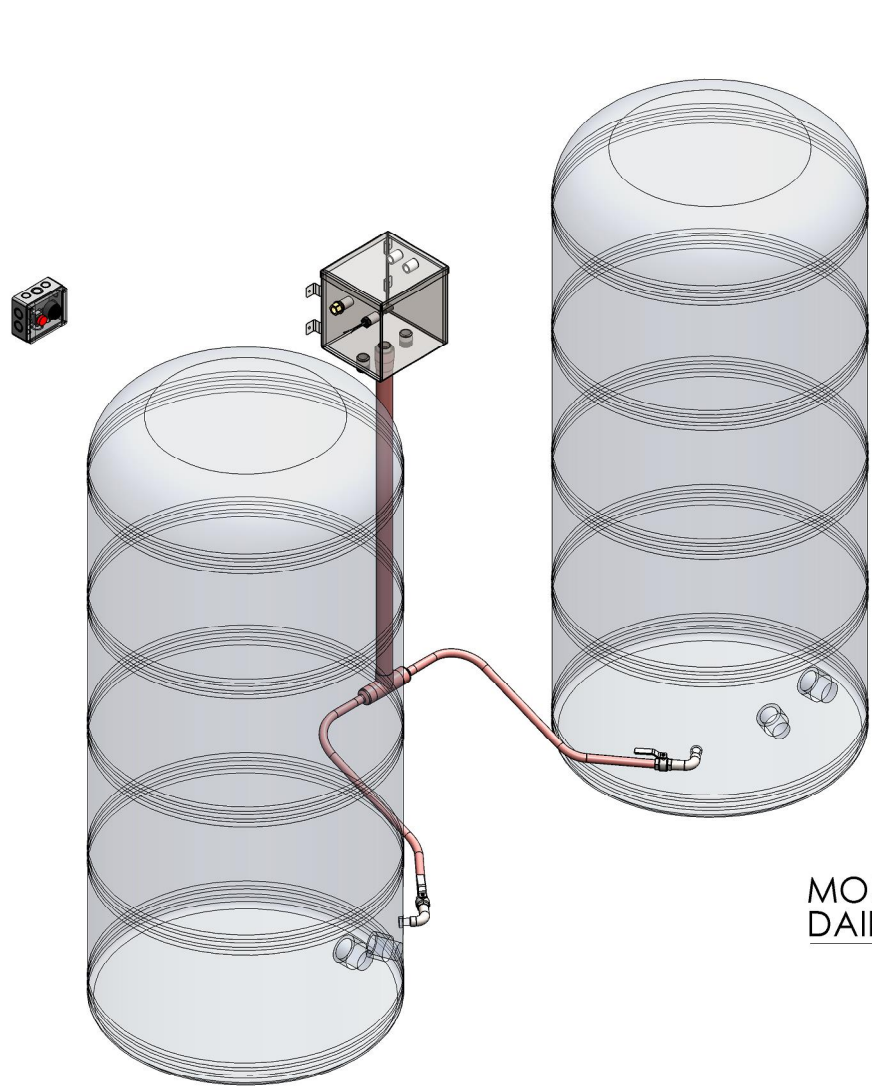


**VARI-COOL 29.5 & 36 ELECTRICAL AND
 HYDRONIC INSTALLATION WITH PLINTH**



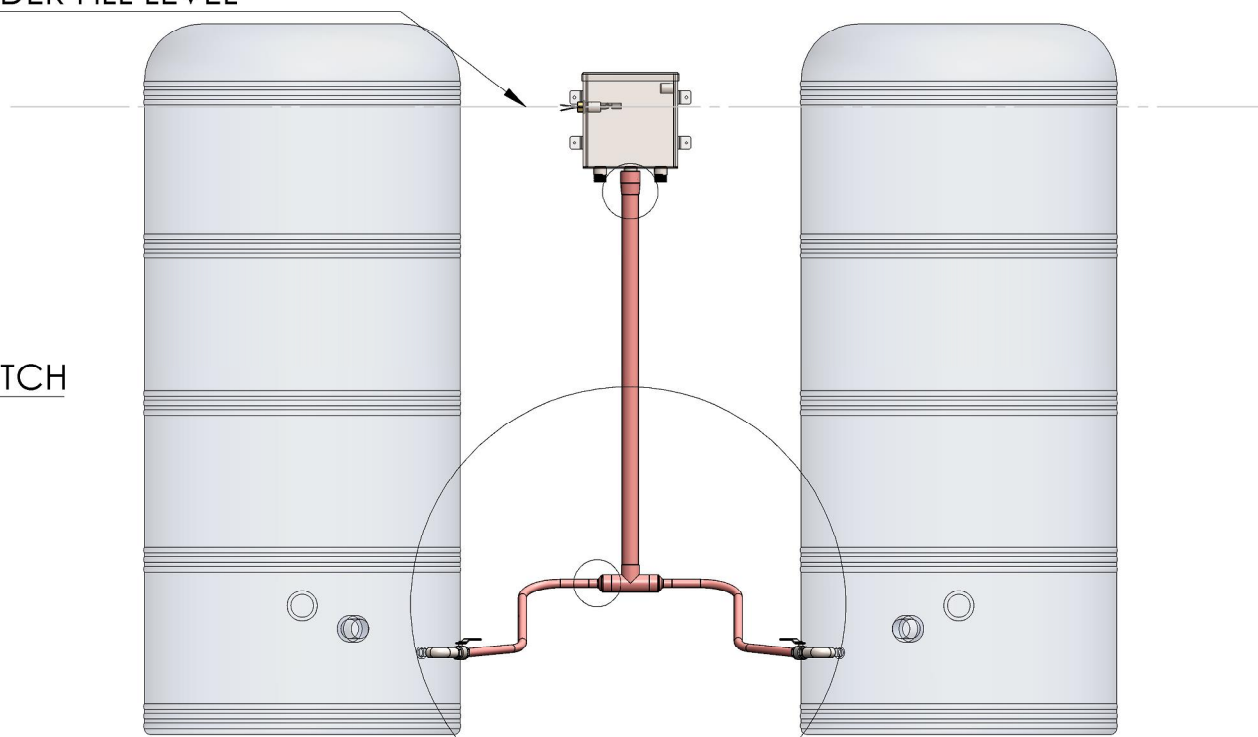
COPYRIGHT:
 THIS DRAWING IS COPYRIGHT AND MUST NOT BE
 RE-PRODUCED WITHOUT WRITTEN CONSENT OF
 COOLSENSE LTD.
 TEL: +64 (0)7 849 0006
 Address: 618D Te Rapa Road, Te Rapa, PO BOX 10186, Hamilton 3200, New Zealand.
 Website: www.coolsense.co.nz
 E-mail: info@coolsense.co.nz

HEAT RECOVERY HEADER TANK TO DAIRY CYLINDERS FOR ALL MODELS

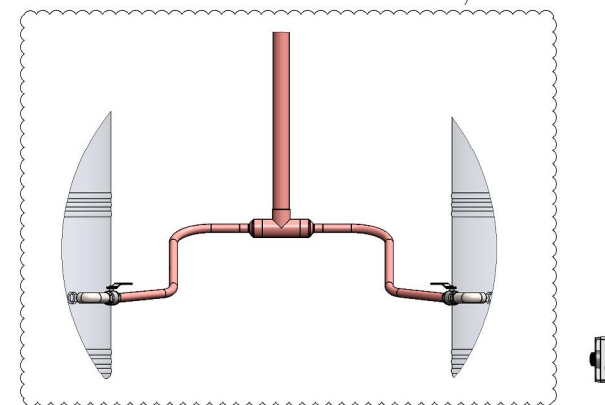


NOTE:
 THIS CONFIGURATION WILL DRAIN BOTH CYLINDERS EQUALLY.

MOUNT HEADER TANK TO CORRECT DAIRY CYLINDER FILL LEVEL

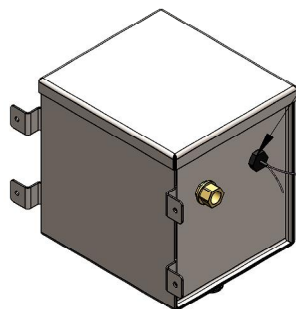
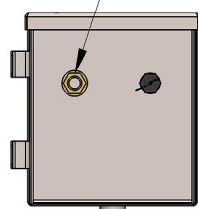


SWING CHECK VALVE SPRING CHECK VALVE BALL VALVE



HOT WATER INLET

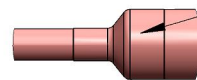
FLOAT SWITCH



HOT WATER FEED TO DAIRY CYLINDERS

HOT WATER HEADER TANK KIT

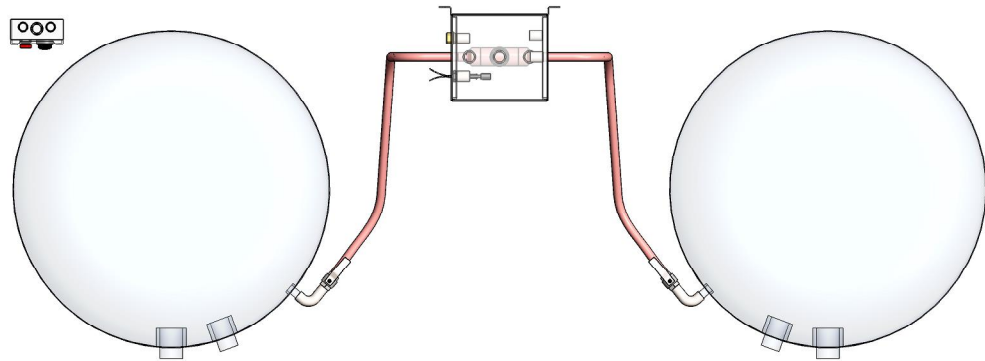
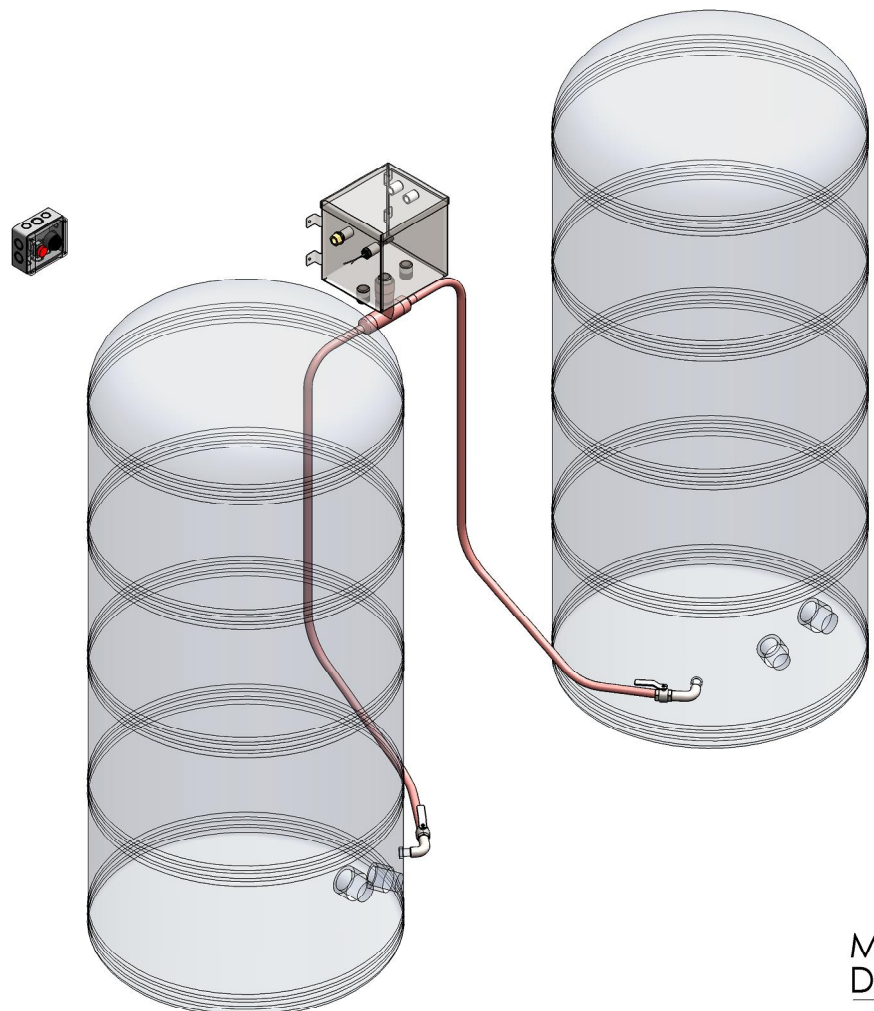
1 1/2" TO 3/4" REDUCER (MAXIMUM REDUCTION)



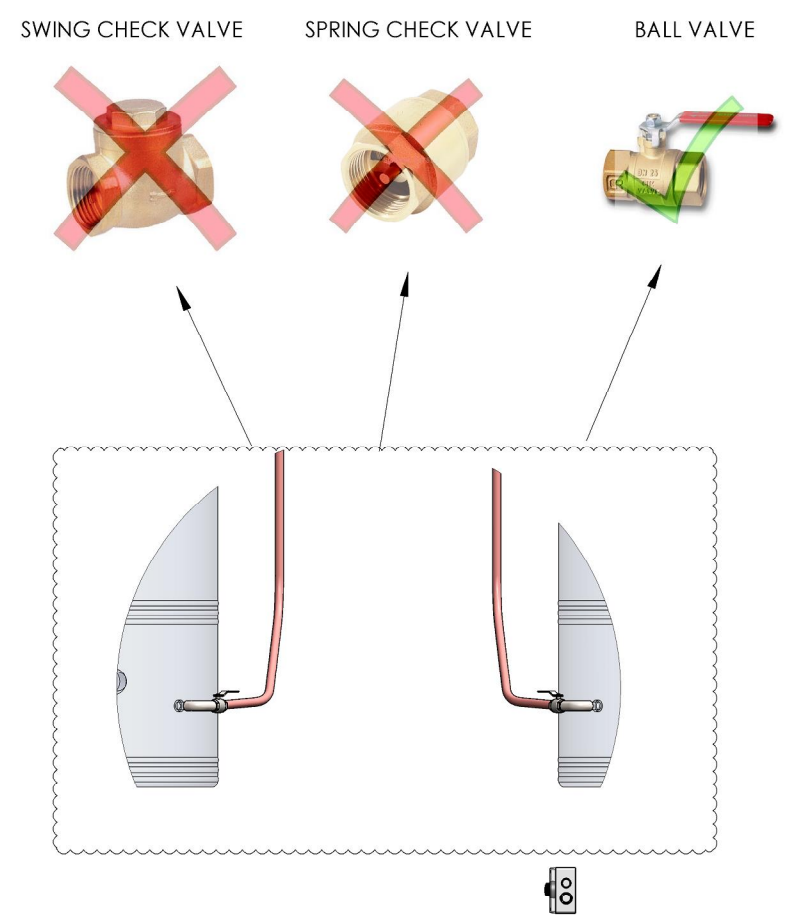
SLOPE

COPYRIGHT:
 THIS DRAWING IS COPYRIGHT AND MUST NOT BE
 RE-PRODUCED WITHOUT WRITTEN CONSENT OF
 COOLSENSE LTD.
 TEL: +64 (0)7 849 0006
 Address: 618D Te Rapa Road, Te Rapa, PO BOX 10186, Hamilton 3200, New Zealand.
 Website: www.coolsense.co.nz
 E-mail: info@coolsense.co.nz

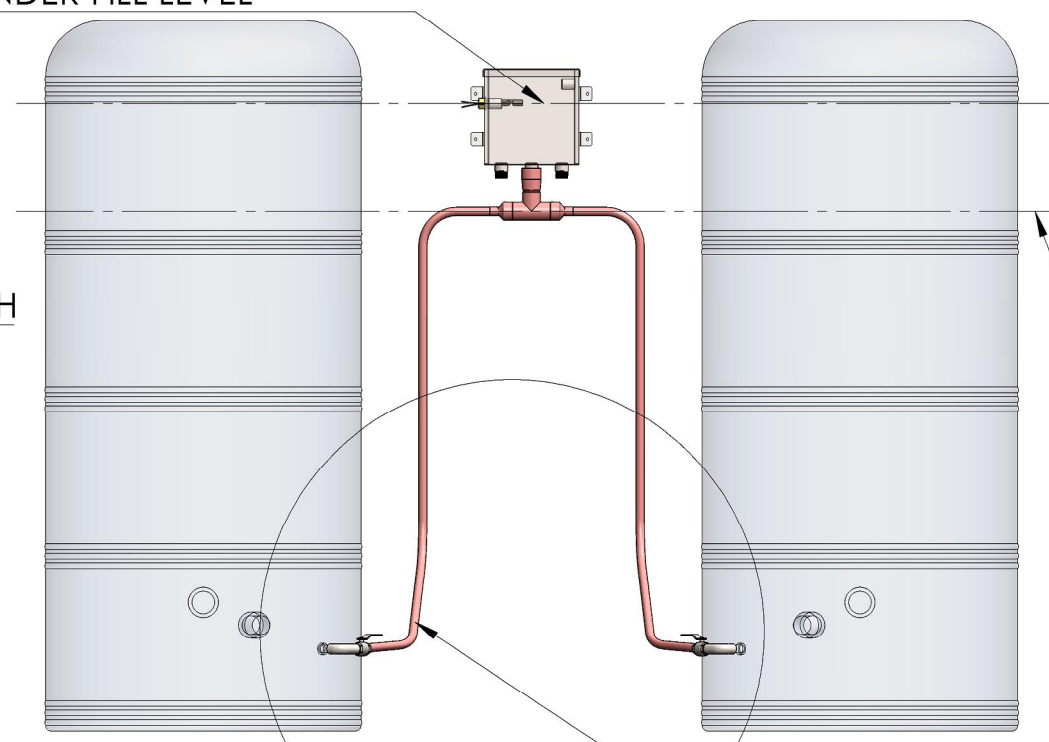
HEAT RECOVERY HEADER TANK TO DAIRY CYLINDERS FOR ALL MODELS (EMPTY FIRST FILL-NON EQUALISING)



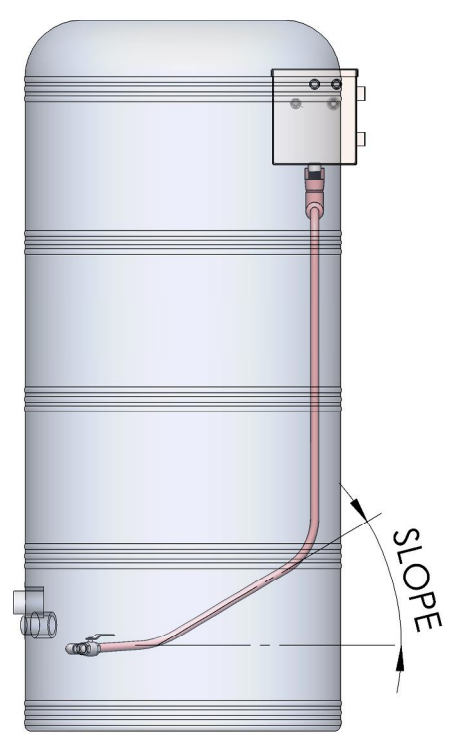
NOTE:
 THIS CONFIGURATION WILL ALLOW THE DAIRY
 CYLINDERS TO BE EMPTIED INDEPENDENTLY FROM
 EACH OTHER



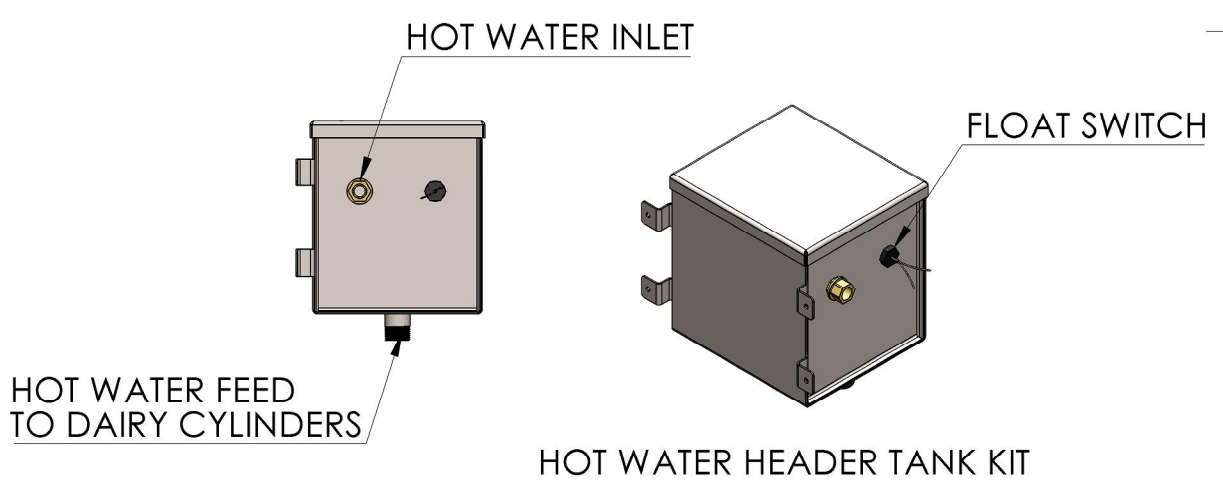
**MOUNT HEADER TANK TO CORRECT
 DAIRY CYLINDER FILL LEVEL**



REMAINING
 FILL LEVEL



3/4" MINIMUM PIPE BORE



HOT WATER FEED
 TO DAIRY CYLINDERS

HOT WATER HEADER TANK KIT